

**CMA<sup>®</sup>X**

# Tower Crane



**CNBM**

**CNBM International Corporation**



## Company Profile

**China National Building Materials (Group) Corporation (CNBM)**, established in 1984, is now one of the largest state-owned group corporation in China, dealing with building materials & industrial equipment. Up to year 2015, CNBM Group's total asset is 60 billion USD and total staff is more than 200,000.

**CNBM International Corporation** specializes in designing and manufacturing various kinds of construction machinery, including tower crane, building hoist, etc. All the equipment produced by CNBM is compliant with the national level quality standard and wins great reputation for their enduring performance in worldwide markets.

### **Key reason for CNBM's achievements:**

#### **Research and Development (R&D)**

- Our own systems of production engineering.
- Production design from the concept to the engineering details.
- National level research academy for various building equipment for over 30 years.
- Continuous development of new solutions and products adapted to the requirements of our clients.
- Technical experts with abundant experience in related industries.

#### **Production**

- Complete quality control system.

- Over 20 years experiences in the manufacturing industry.
- Full production capacity of up to 1000 tower cranes annually (with various load, from 4 tons to 40 tons).

### **Commercial & Marketing**

- Customer-oriented philosophy.
- Full international business experience.
- Global network & localization strategy.
- Professional & high efficiency team.

### **Service**

Under the guidance of "globalization + localization" strategy in most of our main markets, the marketing operations & after sales services are carried out by CNBM's local partner companies.

To provide enough & timely support to the local partners, CNBM has set up several service branches around the world (with more to come), ensuring the best services to the end-users along with high quality equipment.

### **Our Service Branches**

CHINA NATIONAL BUILDING MATERIAL GROUP FZE (DUBAI)  
CNBM INTERNATIONAL CORPORATION K.S.A. BRANCH  
CNBM INTERNATIONAL CORPORATION BRAZIL BRANCH  
CNBM INTERNATIONAL (RUSSIA) CORPORATION)  
CNBM INDIA PRIVATE LIMITED  
CNBM GERMANY GMBH  
CNBM VIETNAM COMPANY LIMITED  
CNBM (U.S.A.) CORPORATION  
CNBM IN UKRAINE, LLC  
PT. CNBM INTERNATIONAL INDONESIA  
UNDER CONSTRUCTION IN OTHER PLACES





**尖头塔 Topkit Tower Crane**

尖头塔 Topkit Tower Crane TC5013A/B .....	1
尖头塔 Topkit Tower Crane TC5013C .....	3
尖头塔 Topkit Tower Crane TC5516 .....	5
尖头塔 Topkit Tower Crane TC5610A/B .....	7
尖头塔 Topkit Tower Crane TC5613A/B .....	9
尖头塔 Topkit Tower Crane TC6010A/B .....	11
尖头塔 Topkit Tower Crane TC6014 .....	13
尖头塔 Topkit Tower Crane TC5023A/B .....	15



## Contents



### 尖头塔 Topkit Tower Crane

尖头塔 Topkit Tower Crane TC6016 ..... 17

尖头塔 Topkit Tower Crane TC6020 ..... 19

尖头塔 Topkit Tower Crane TC6024 ..... 21

尖头塔 Topkit Tower Crane TC6520 ..... 23

尖头塔 Topkit Tower Crane TC7021 ..... 25

尖头塔 Topkit Tower Crane TC7034 ..... 27

尖头塔 Topkit Tower Crane TC7135 ..... 29

尖头塔 Topkit Tower Crane TC7050 ..... 31



### 平头塔机 Topless Tower Crane

平头塔 Topless Tower Crane TCP5210A/B .....	33
平头塔 Topless Tower Crane TCP5510A/B .....	35
平头塔 Topless Tower Crane TCP5516A/B .....	37
平头塔 Topless Tower Crane TCP6015 .....	39

### 动臂塔机 Luffing Tower Crane

动臂塔 Luffing Tower Crane TCD4522 .....	41
动臂塔 Luffing Tower Crane TCD5030 .....	43
动臂塔 Luffing Tower Crane TCD6024A/B .....	45

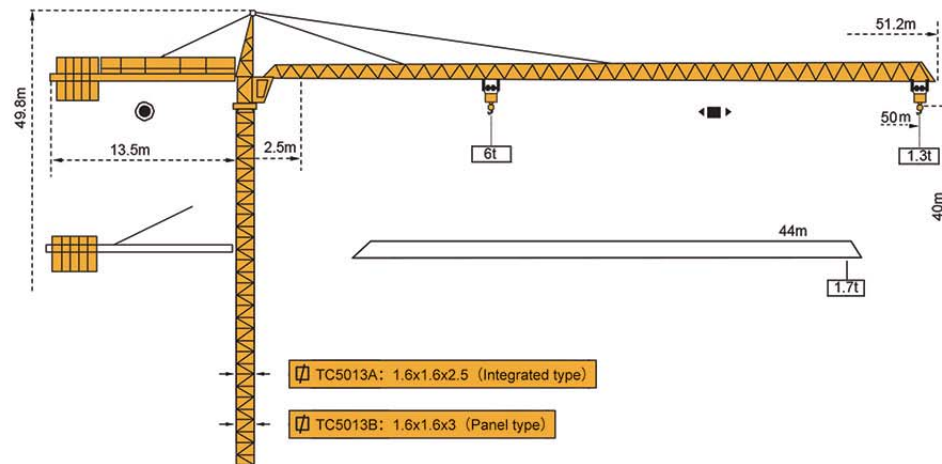
### 其他 Others

快架塔 Quick Tower Crane QTK25 .....	49
屋面吊 Derrick DK10 .....	51

●	工作状态下反力	Reaction in service
■	非工作状态下反力	Reaction at rest
▲ ▼	起升	Hoisting
◀ ▶	变幅 (拉臂)	Trolleying
⊙	回转	Slewing
⊞	行走	Travelling
⚡	电网	Power supply
🔔	塔机在无载荷、无配重独立高度状态下的自重	Weight without load, without ballast, with jib and standard height

\* 本手册内容最终解释权归中建材国际贸易有限公司所有，如有修改恕不另行通知！

\* Reserves the right to make specification changes without notice.

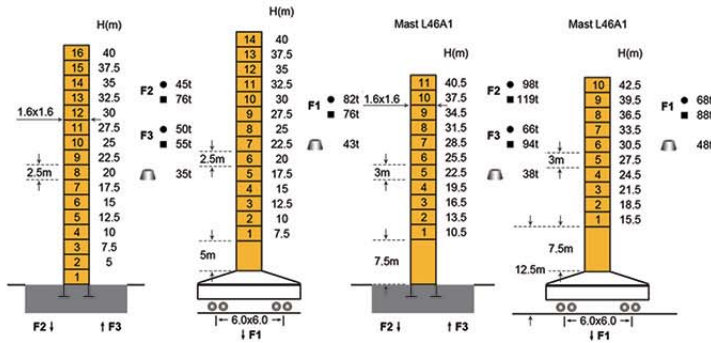


▼ 载荷表 Load Curve

50M	Fall	15.5	17.0	20.0	23.0	26.0	28.1	29.0	32.0	35.0	41.0	44.0	50.0	m
	IV	6.00	5.40	4.48	3.80	3.29	2.99	2.88	2.45	2.29	1.87	1.70	1.30	t
	II	3.00	3.00	3.00	3.00	3.00	3.00	2.91	2.48	2.32	1.90	1.73	1.33	t
44M	Fall	15.7	17.0	20.0	23.0	26.0	28.7	29.0	32.0	35.0	38.0	44.0	m	
	IV	6.00	5.49	4.56	3.87	3.35	2.97	2.94	2.60	2.33	2.10	1.70	t	
	II	3.00	3.00	3.00	3.00	3.00	3.00	2.97	2.63	2.36	2.13	1.73	t	



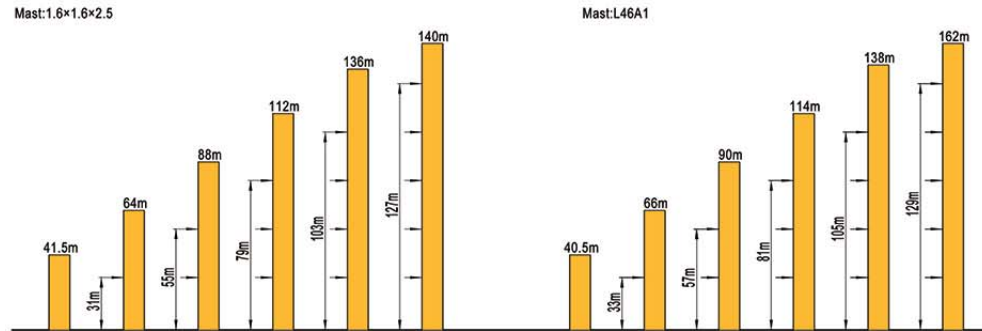
▼ 塔身组成 Mast composition

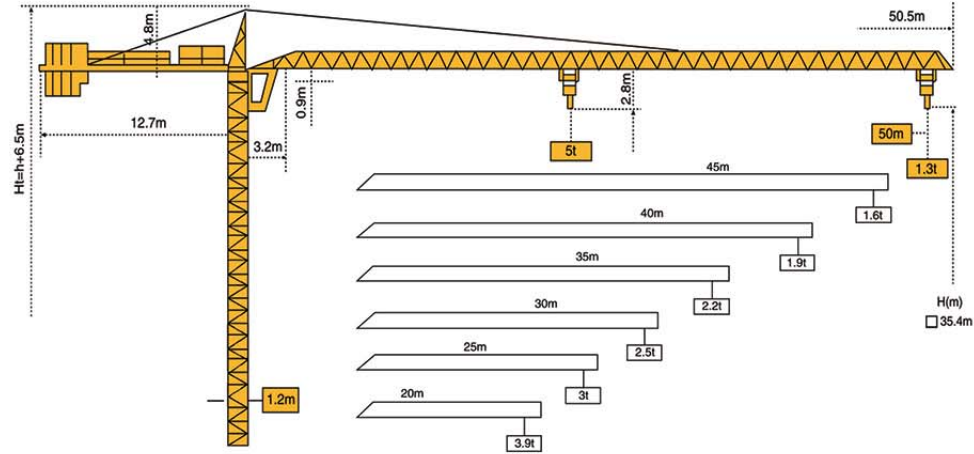


▼ 机构特性 Mechanism

机构特性 Mechanism		II	IV	功率 Power	容绳量 Ropes	备注 Remark
起升 Hoisting	24YQL15CP2	m/min 9/38/80	4.5/19/40	24kw	330M	
	t	1.5-3	3-6			
起升 Hoisting	33PC15	m/min 6/38/75	3/19/37.5	24kw	400M	选配 Optional
	t	1.5-3	3-6			
变幅 Trolleying	3JXD1	m/min	20/40	2.2/3.3		选配 Optional
	95JXL2	m/min	0-58			
回转 Slewing	5JHE120	r/min	0.6	5.5kw		选配 Optional
	JHK100T2	r/min	0.6			
行走 Travelling	RT324	m/min	12-24	2x3.4kw		
380v 50Hz / 440v 60Hz						

▼ 附着 Anchorages

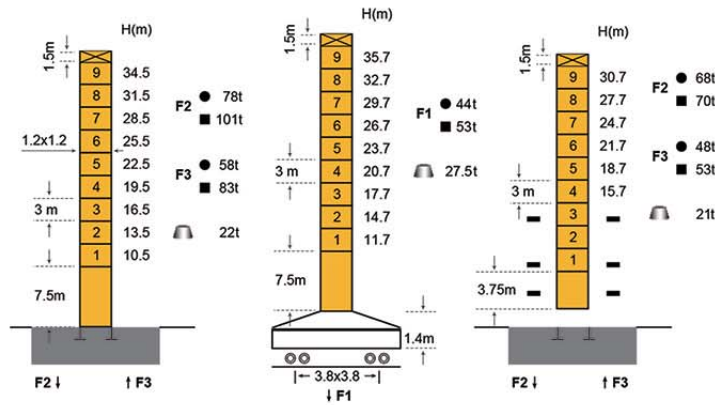




▼ 载荷表 Load Curve

	Fall	15.0	17.0	20.0	22.0	25.0	26.7	28.9	30.0	32.0	35.0	37.0	40.0	42.0	45.0	47.0	50.0	m
50M	IV	5.00	4.30	3.60	3.20	2.70	2.50	2.25	2.15	1.95	1.75	1.62	1.45	1.35	1.25	1.15	1.05	t
	II	2.50	2.50	2.50	2.50	2.50	2.50	2.50	2.40	2.20	2.00	1.70	1.60	1.50	1.40	1.30	t	
45M	IV	5.00	4.60	3.80	3.40	2.90	2.65	2.50	2.25	2.15	1.95	1.75	1.60	1.50	1.35	t		
	II	2.50	2.50	2.50	2.50	2.50	2.50	2.50	2.50	2.40	2.20	2.00	1.85	1.75	1.60	t		
40M	IV	5.00	4.80	3.90	3.50	3.00	2.75	2.50	2.25	2.20	1.85	1.75	1.65	t				
	II	2.50	2.50	2.50	2.50	2.50	2.50	2.50	2.50	2.45	2.20	2.10	1.90	t				
35M	IV	5.00	4.80	3.90	3.50	3.00	2.75	2.50	2.25	2.20	1.95	t						
	II	2.50	2.50	2.50	2.50	2.50	2.50	2.50	2.50	2.45	2.20	t						

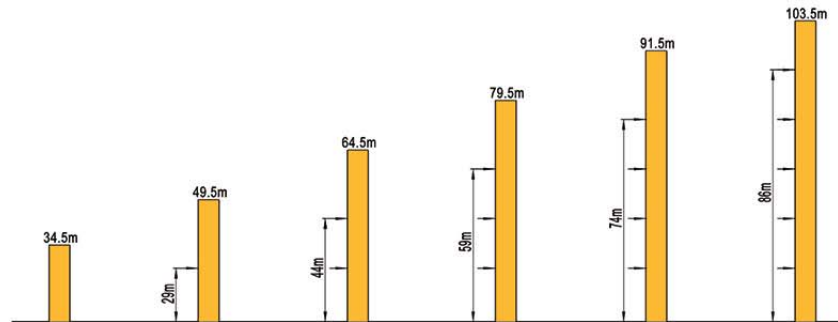
▼ 塔身组成 Mast composition

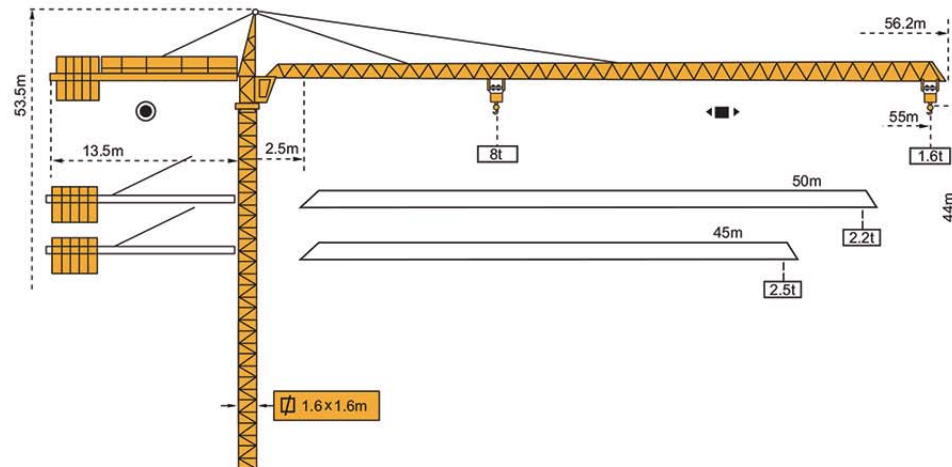


▼ 机构特性 Mechanism

机构特性 Mechanism		II	IV	功率 Power	容绳量 Ropes
起升 Hoisting 18PC13A	m/min	0-67	0-33.5	18kw	360M
	t	1-2.5	2.5-5		
变幅 Trolleying 4D3V2	m/min	0-58		95N.m	
回转 Slewing JH07	r/min	0.6		95N.m	
行走 Travelling RT324	m/min	12-24		2x3.4kw	
380v 50Hz / 440v 60Hz					

▼ 附着 Anchorages

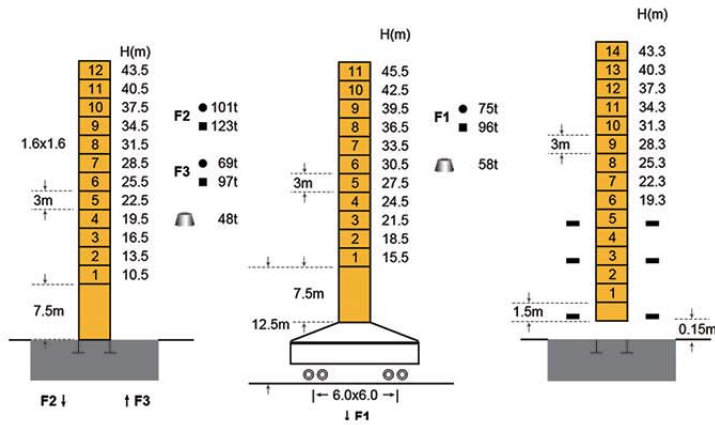




▼ 载荷表 Load Curve

	Fall	13.5	17.0	20.0	22.0	24.7	27.0	33.0	35.0	37.0	40.0	45.0	47.0	50.0	52.0	55.0	m
55M	II	4.00	4.00	4.00	4.00	4.00	3.61	3.00	2.79	2.61	2.38	2.06	1.95	1.80	1.72	1.60	t
	IV	8.00	6.20	5.17	4.62	4.00	3.41	3.00	2.79	2.61	2.38	2.06	1.95	1.80	1.72	1.60	t
		15.2	19.7	22.0	25.0	27.4	29.8	33.0	38.5	40.0	42.0	45.0	47.0	50.0	m		
50M	II	4.00	4.00	4.00	4.00	4.00	3.65	3.22	3.00	2.87	2.71	2.50	2.37	2.20	t		
	IV	8.00	6.20	5.53	4.76	4.00	3.65	3.22	3.00	2.87	2.71	2.50	2.37	2.20	t		
		15.2	19.7	22.0	25.0	27.4	29.8	33.0	38.5	40.0	42.0	45.0	m				
45M	II	4.00	4.00	4.00	4.00	4.00	3.65	3.22	3.00	2.87	2.71	2.50	t				
	IV	8.00	6.20	5.53	4.76	4.20	3.65	3.22	3.00	2.87	2.71	2.50	t				

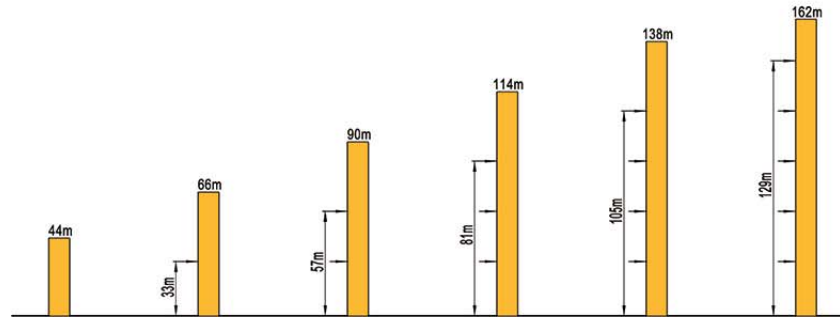
▼ 塔身组成 Mast composition



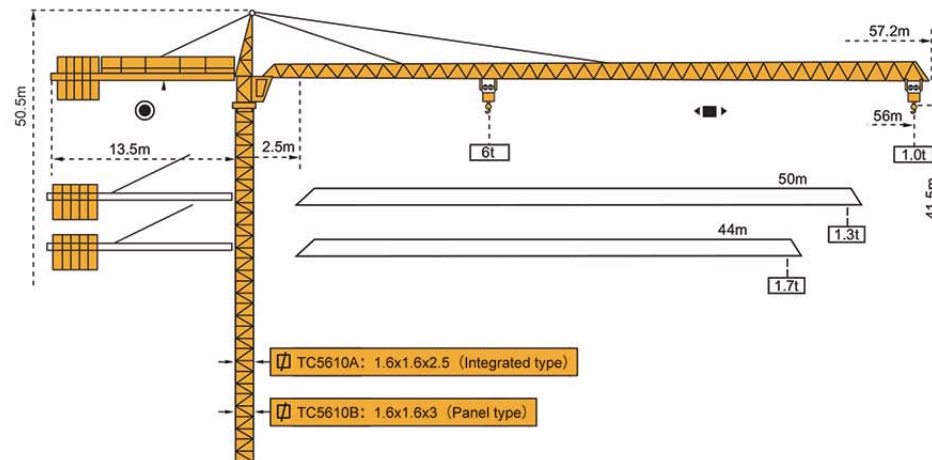
▼ 机构特性 Mechanism

机构特性 Mechanism		II	IV	功率 Power	容量量 Ropes	备注 Remark
↑	起升 Hoisting 30YQL20WP	m/min t	40/80 0-4	20/40 0-8	30kw 400M	
	起升 Hoisting 30PC20	m/min t	6/40/80 0-4	3/20/40 0-8	30kw 500M	选配 Optional
	起升 Hoisting 30PFC20	m/min t	0-80 0-4	0-40 0-8	30kw 500M	选配 Optional
←	变幅 Trolleying 3JXD3	m/min	24/48		2.2/3.3	
	变幅 Trolleying 95JXL2	m/min	0-58		95N.m	选配 Optional
↻	回转 Slewing JHK100T2	r/min	0.6		2x95N.m	
↔	行走 Travelling RT443	m/min	0-17		2x5.2kw	
380v 50Hz / 440v 60Hz						

▼ 附着 Anchorages



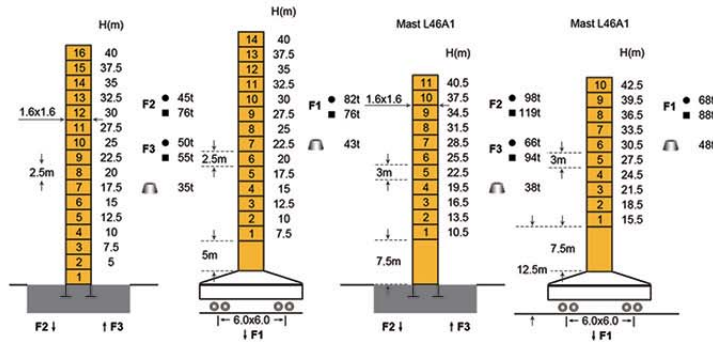




▼ 载荷表 Load Curve

	Fail	14.8	16.0	20.0	22.0	26.0	28.0	30.0	32.0	34.0	38.0	40.0	42.0	44.0	46.0	50.0	56.0	m
56M	IV	6.00	5.48	4.19	3.73	3.02	2.75	2.50	2.31	2.13	1.82	1.69	1.58	1.47	1.38	1.21	1.00	t
	II	3.00	3.00	3.00	3.00	3.00	2.78	2.54	2.34	2.16	1.85	1.72	1.61	1.50	1.41	1.24	1.03	t
		15.5	16.0	20.0	22.0	26.0	28.0	30.0	32.0	34.0	38.0	40.0	42.0	44.0	46.0	50.0	m	
50M	IV	6.00	5.78	4.43	3.94	3.20	2.92	2.67	2.45	2.26	1.94	1.81	1.69	1.58	1.48	1.30	t	
	II	3.00	3.00	3.00	3.00	3.00	2.95	2.70	2.48	2.29	1.97	1.84	1.72	1.61	1.51	1.33	t	
		15.5	16.0	20.0	22.0	26.0	28.0	30.0	32.0	34.0	38.0	40.0	42.0	44.0	m			
44M	IV	6.00	6.00	4.70	4.19	3.41	3.11	2.85	2.62	2.42	2.09	1.95	1.82	1.70	t			
	II	3.00	3.00	3.00	3.00	3.00	3.00	2.88	2.65	2.45	2.12	1.98	1.85	1.73	t			

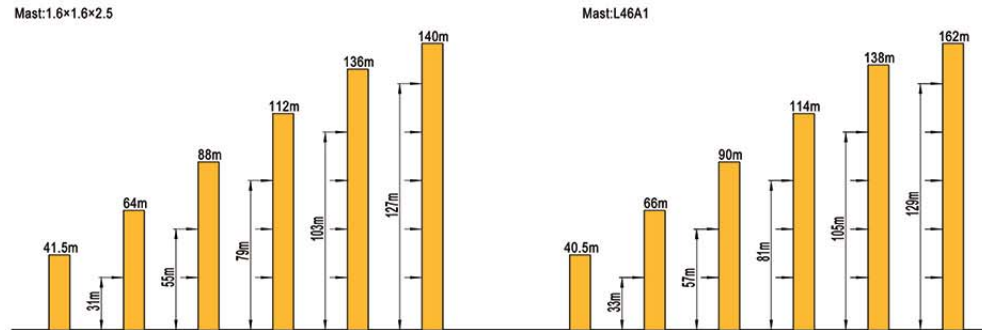
▼ 塔身组成 Mast composition

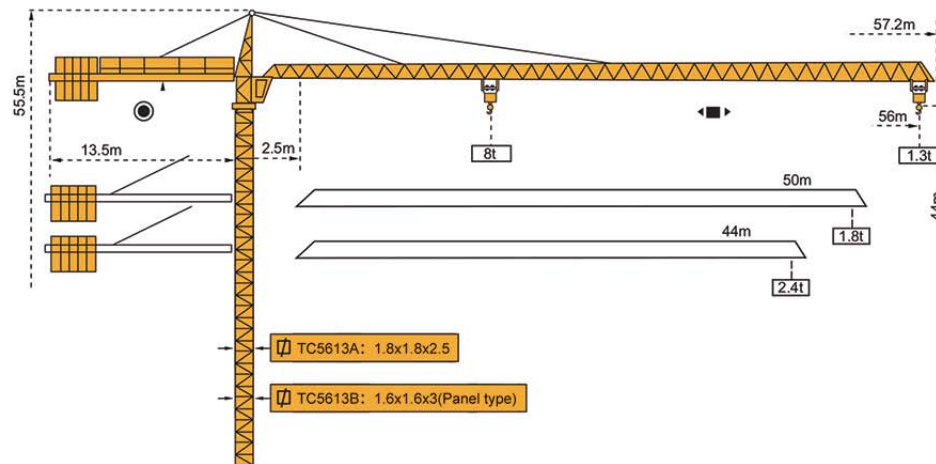


▼ 机构特性 Mechanism

机构特性 Mechanism		II	IV	功率 Power	容绳量 Ropes	备注 Remark
起升 Hoisting	24YQL15CP2	m/min	9/38/80	4.5/19/40	24kw	330M
	t	1.5-3	3-6			
起升 Hoisting	33PC15	m/min	6/38/75	3/19/37.5	24kw	400M
	t	1.5-3	3-6			选配 Optional
变幅 Trolleying	3JXD1	m/min	20/40		2.2/3.3	
	95JXL2	m/min	0-58		95N.m	选配 Optional
回转 Slewing	5JHE120	r/min	0.6		5.5kw	
	JHK100T2	r/min	0.6		2x95N.m	选配 Optional
行走 Travelling	RT324	m/min	12-24		2x3.4kw	
380v 50Hz / 440v 60Hz						

▼ 附着 Anchorages

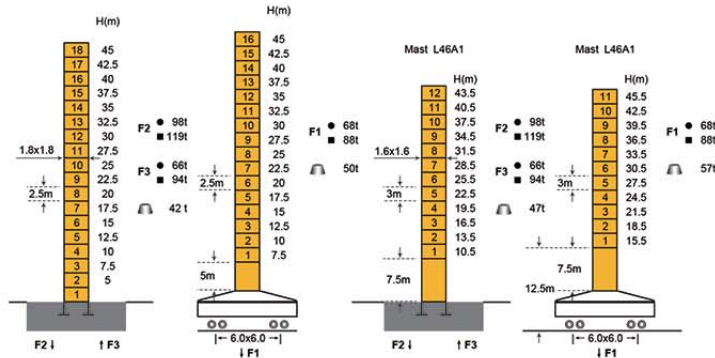




▼ 载荷表 Load Curve

	Fall	13.7	14.0	16.0	18.0	20.0	24.9	26.0	30.0	32.0	35.0	38.0	40.0	42.0	44.0	50.0	56.0	m
56M	IV	8.00	7.79	6.67	5.81	4.12	3.92	3.72	3.12	2.86	2.55	2.28	2.13	1.99	1.86	1.55	1.30	t
	II	4.00	4.00	4.00	4.00	4.00	4.00	3.80	3.20	2.94	2.63	2.36	2.21	2.07	1.94	1.63	1.38	t
50M			15.1	16.0	18.0	22.0	24.0	26.0	30.0	32.0	35.0	38.0	40.0	42.0	44.0	50.0	m	
	IV		8.00	7.48	6.53	5.15	4.65	4.22	3.54	3.26	2.91	2.62	2.45	2.29	2.15	1.80	t	
	II		4.00	4.00	4.00	4.00	4.00	4.00	3.62	3.34	2.99	2.70	2.53	2.37	2.23	1.88	t	
44M				16.3	18.0	22.0	24.0	26.0	30.0	32.0	35.0	38.0	40.0	42.0	44.0	m		
	IV			8.00	7.16	5.66	5.11	4.64	3.91	3.61	3.23	2.91	2.72	2.55	2.40	t		
	II			4.00	4.00	4.00	4.00	4.00	4.00	3.69	3.31	2.99	2.79	2.63	2.48	t		

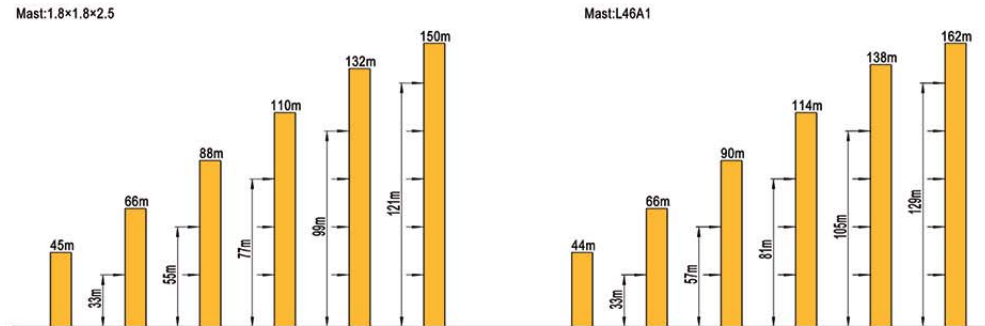
▼ 塔身组成 Mast composition

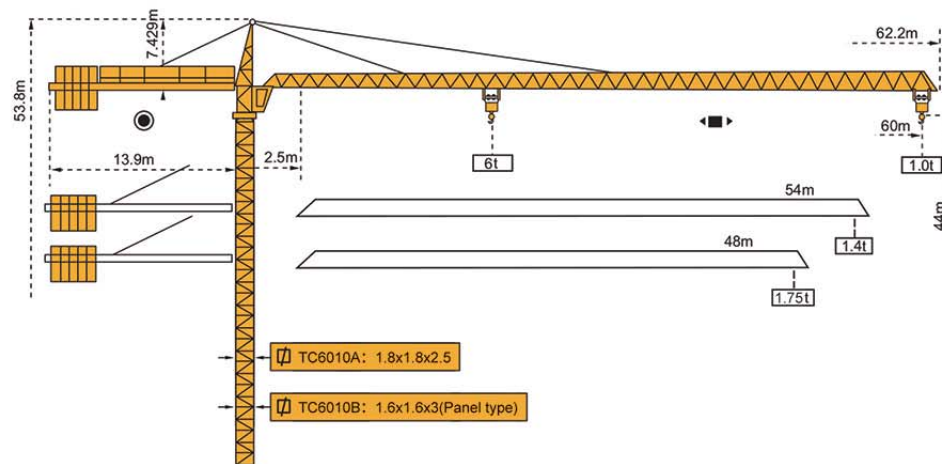


▼ 机构特性 Mechanism

机构特性 Mechanism		II	IV	功率 Power	容绳量 Ropes	备注 Remark
起升 Hoisting	30YQL20WP	m/min	40/80	20/40	30kw	400M
		t	0-4	0-8		
	30PC20	m/min	6/40/80	3/20/40	30kw	500M
起升 Hoisting	30PFC20	m/min	0-80	0-40	30kw	500M
		t	0-4	0-8		
变幅 Trolleying	3JXD3	m/min	24/48		2.2/3.3	选配 Optional
	95JXL2	m/min	0-58			
回转 Slewing	JHK100T2	r/min	0.6		2x95N.m	
行走 Travelling	RT443	m/min	0-17		2x5.2kw	
380v 50Hz / 440v 60Hz						

▼ 附着 Anchorages



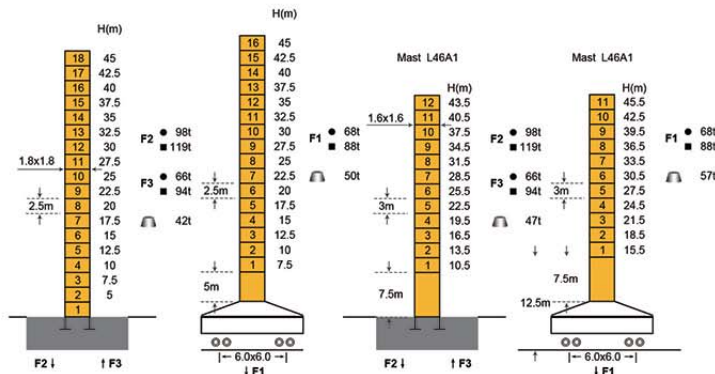


▼ 载荷表 Load Curve

	Fall	15.4	18.0	20.0	24.0	28.0	30.0	34.0	38.0	40.0	42.0	44.0	46.0	48.0	50.0	54.0	60.0	m
60M	IV	6.00	4.97	4.38	3.49	2.87	2.62	2.22	1.90	1.77	1.64	1.53	1.43	1.34	1.26	1.11	0.92	t
	II	3.00	3.00	3.00	3.00	2.95	2.70	2.30	1.98	1.85	1.72	1.61	1.42	1.34	1.26	1.19	1.00	t
		17.1	18.0	20.0	24.0	28.0	30.0	34.0	38.0	40.0	42.0	44.0	46.0	48.0	50.0	54.0	m	
54M	IV	6.00	5.63	4.97	3.98	3.29	3.01	2.56	2.20	2.05	1.92	1.80	1.68	1.58	1.40	1.32	t	
	II	3.00	3.00	3.00	3.00	3.00	3.00	2.64	2.28	2.13	2.00	1.88	1.76	1.66	1.57	1.40	t	
		17.7	20.0	22.0	24.0	28.0	30.0	34.0	38.0	40.0	42.0	44.0	46.0	48.0	m			
48M	IV	6.00	5.19	4.27	4.16	3.44	3.15	2.69	2.32	2.16	2.02	1.89	1.78	1.67	t			
	II	3.00	3.00	3.00	3.00	3.00	3.00	2.77	2.40	2.24	2.10	1.97	1.86	1.75	t			



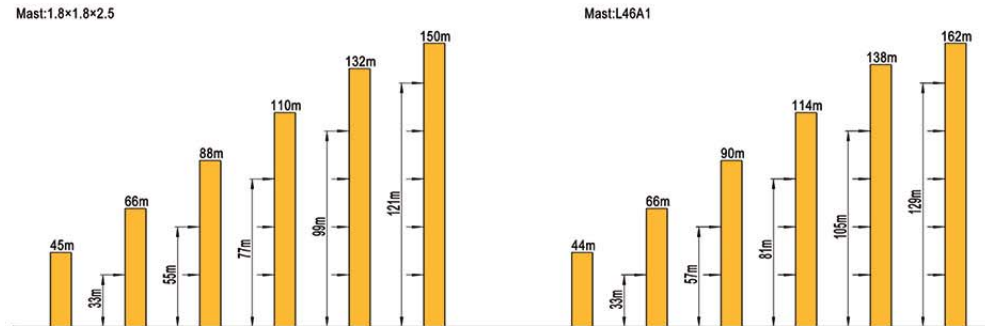
▼ 塔身组成 Mast composition

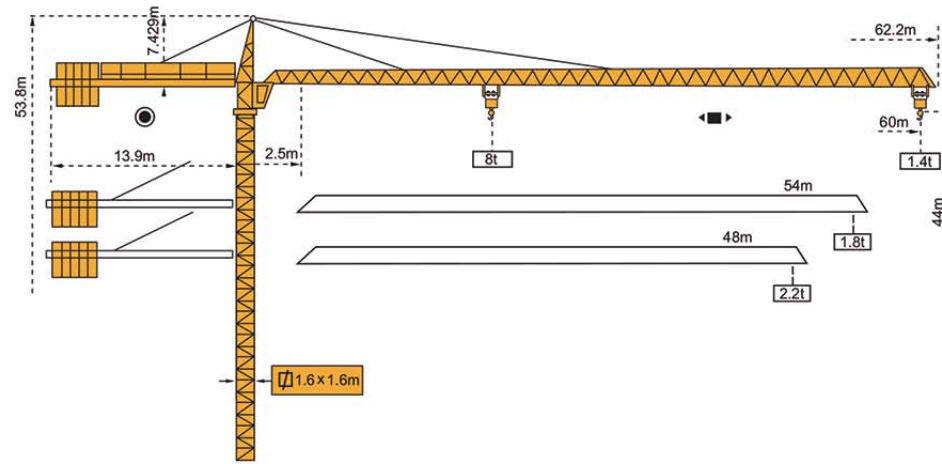


▼ 机构特性 Mechanism

机构特性 Mechanism		II	IV	功率 Power	容绳量 Ropes	备注 Remark
起升 Hoisting	24YQL15CP2	m/min	9/38/80	4.5/19/40	24kw	330M
		t	1.5-3	3-6		
起升 Hoisting	33PC15	m/min	6/38/75	3/19/37.5	24kw	400M
		t	1.5-3	3-6		选配 Optional
变幅 Trolleying	3JXD1	m/min	20/40		2.2/3.3	
						选配 Optional
变幅 Trolleying	95JXL2	m/min	0-58		95N.m	
						选配 Optional
回转 Slewing	5JHE120	r/min	0.6		5.5kw	
						选配 Optional
回转 Slewing	JHK100T2	r/min	0.6		2x95N.m	
						选配 Optional
行走 Travelling	RT324	m/min	12-24		2x3.4kw	
380v 50Hz / 440v 60Hz						

▼ 附着 Anchorages

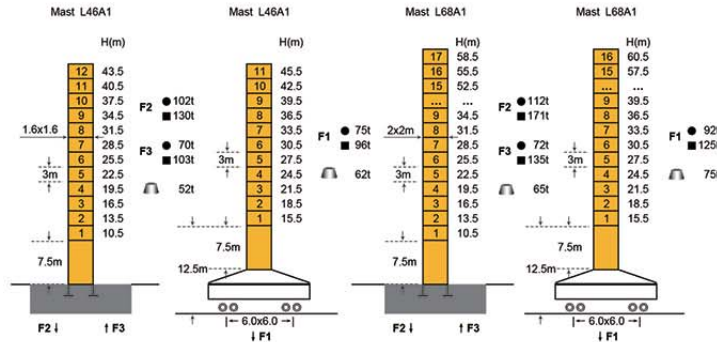




▼ 载荷表 Load Curve

	Fall	14.8	18.0	20.0	24.0	28.0	30.0	34.0	38.0	40.0	42.0	44.0	46.0	48.0	50.0	54.0	60.0	m
60M	IV	8.00	6.35	5.64	4.54	3.76	3.45	2.95	2.55	2.38	2.23	2.09	1.97	1.85	1.75	1.56	1.33	t
	II	4.00	4.00	4.00	4.00	3.83	3.52	3.02	2.62	2.45	2.30	2.16	2.04	1.92	1.82	1.63	1.40	t
54M		15.9	18.0	20.0	24.0	28.0	30.0	34.0	38.0	40.0	42.0	44.0	46.0	48.0	50.0	54.0	m	
	IV	8.00	6.90	6.11	4.92	4.09	3.76	3.22	2.79	2.61	2.45	2.30	2.17	2.04	1.93	1.73		
	II	4.00	4.00	4.00	4.00	4.00	3.83	3.29	2.86	2.68	2.52	2.37	2.24	2.11	2.00	1.80		
48M		16.3	20.0	22.0	24.0	28.0	30.0	34.0	38.0	40.0	42.0	44.0	46.0	48.0	m			
	IV	8.00	6.32	5.65	5.10	4.24	3.90	3.34	2.90	2.72	2.55	2.40	2.26	2.13				
	II	4.00	4.00	4.00	4.00	4.00	3.97	3.41	2.97	2.79	2.62	2.47	2.33	2.20				

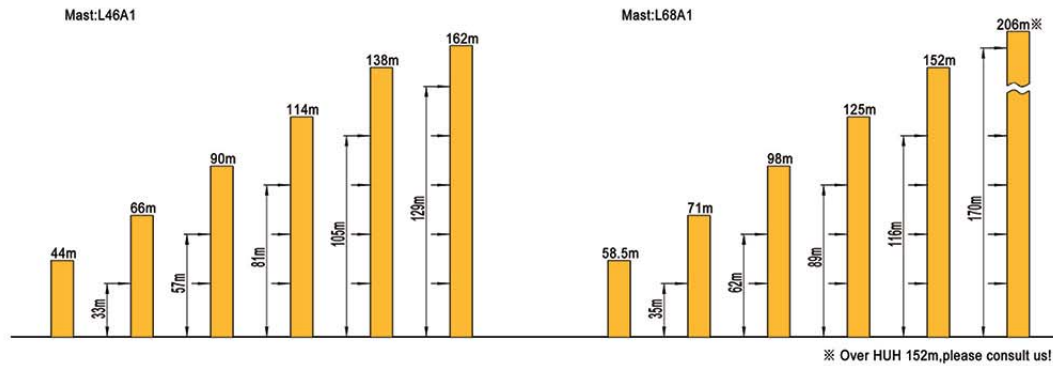
▼ 塔身组成 Mast composition

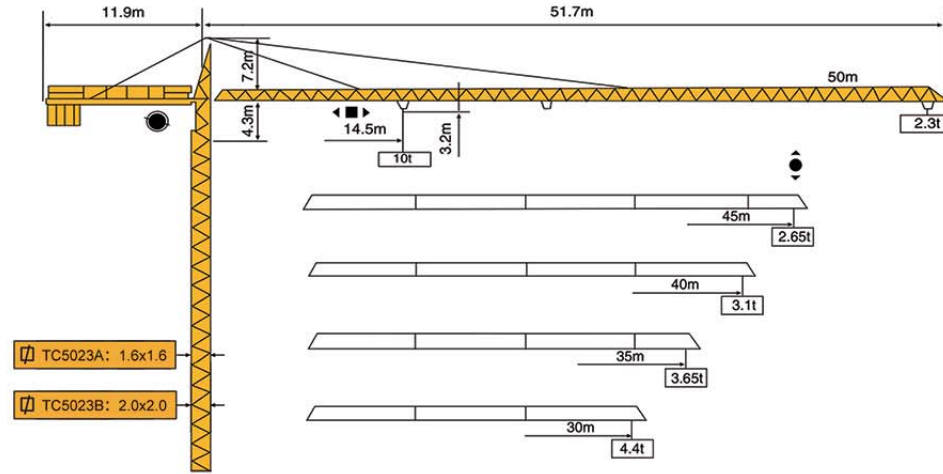


▼ 机构特性 Mechanism

机构特性 Mechanism		II	IV	功率 Power	容绳量 Ropes	备注 Remark
↑	起升 Hoisting 30YQL20WP	m/min t	40/80 0-4	20/40 0-8	30kw 400M	
	起升 Hoisting 30PC20	m/min t	6/40/80 0-4	3/20/40 0-8	30kw 500M	选配 Optional
	起升 Hoisting 30PFC20	m/min t	0-80 0-4	0-40 0-8	30kw 500M	选配 Optional
←	变幅 Trolleying 3JXD3	m/min	24/48		2.2/3.3	
	变幅 Trolleying 95JXL2	m/min	0-58		95N.m	选配 Optional
↻	回转 Slewing JHK100T2	r/min	0.6		2x95N.m	
↔	行走 Travelling RT443	m/min	0-17		2x5.2kw	
380v 50Hz / 440v 60Hz						

▼ 附着 Anchorages

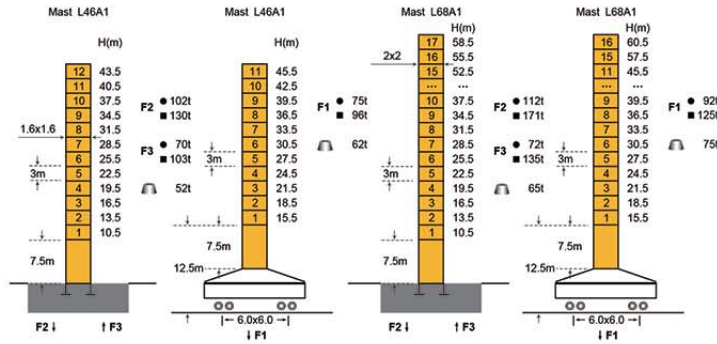




▼ 载荷表 Load Curve

	Fall	14.5	16.00	20.0	26.0	28.0	30.0	36.0	40.0	44.0	48.0	50.0	m
50M	IV	10.00	8.90	6.90	5.00	4.90	4.20	3.40	2.90	2.60	2.35	2.10	t
	II	5.00	5.00	5.00	5.00	5.00	4.40	3.50	3.10	2.70	2.45	2.30	t
45M	IV	14.5	17.00	21.0	25.0	27.0	31.0	35.0	39.0	43.0	45.0	m	
	II	5.00	5.00	5.00	5.00	5.00	4.20	3.65	3.15	2.80	2.65	t	
40M	IV	10.00	7.80	6.20	5.00	4.90	4.30	3.65	3.20	3.00	t		
	II	5.00	5.00	5.00	5.00	5.00	4.40	3.75	3.30	3.10	t		
35M	IV	14.5	17.00	21.0	25.0	27.0	29.0	33.0	35.0	m			
	II	5.00	5.00	5.00	5.00	5.00	4.45	3.80	3.55	t			
30M	IV	10.00	8.30	6.50	5.35	4.90	4.45	3.80	3.55	t			
	II	5.00	5.00	5.00	5.00	5.00	4.55	3.90	3.65	t			
	IV	14.5	16.00	18.0	20.0	24.0	26.0	28.0	30.0	m			
	II	10.00	8.90	7.80	6.90	5.60	5.00	4.90	4.30	t			
	II	5.00	5.00	5.00	5.00	5.00	5.00	5.00	4.40	t			

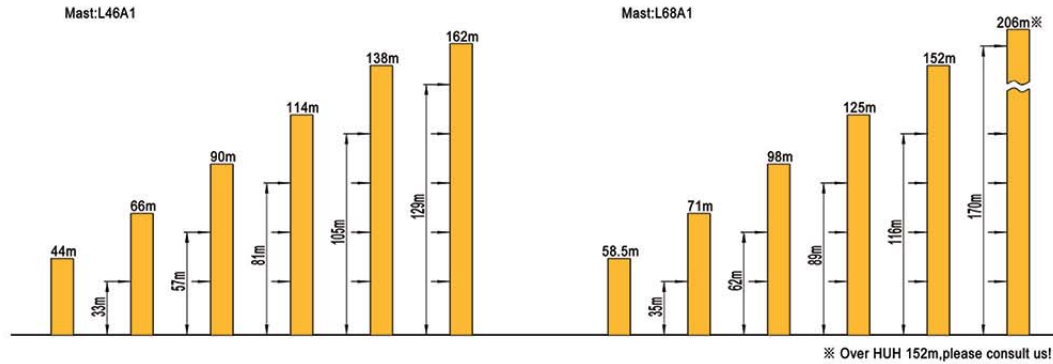
▼ 塔身组成 Mast composition



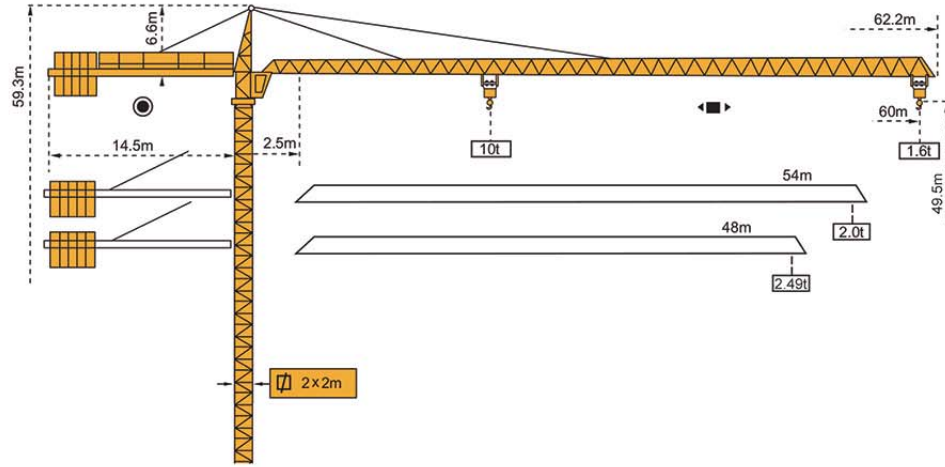
▼ 机构特性 Mechanism

机构特性 Mechanism		II	IV	功率 Power	容绳量 Ropes	备注 Remark
▲	起升 Hoisting 45JLF25A	m/min t	0-40 0-5	0-80 0-10	45kw	550M
	起升 Hoisting 45PFC25	m/min t	0-40 0-5	0-80 0-10	45kw	500M 选配 Optional
◀▶	变幅 Trolleying 5JXF4A	m/min	0-58		5.5kw	
🌀	回转 Slewing JHK100T2	r/min	0.6		2x95N.m	
🚶	行走 Travelling RT443	m/min	0-17		4x5.2kw	
380v 50Hz / 440v 60Hz						

▼ 附着 Anchorages



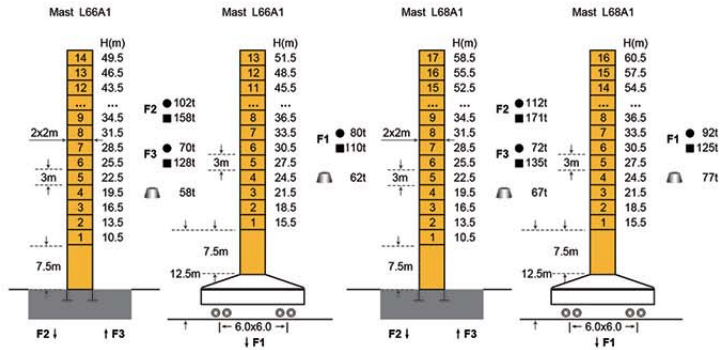




▼ 载荷表 Load Curve

60M	Fall	11.2	14.0	18.0	22.0	26.0	30.0	34.0	38.0	40.0	42.0	44.0	46.0	48.0	50.0	54.0	60.0	m
	IV	10.00	8.04	6.22	5.03	4.19	3.57	3.10	2.72	2.56	2.41	2.28	2.16	2.05	1.94	1.76	1.53	t
II	5.00	5.00	5.00	5.00	4.26	3.65	3.17	2.79	2.63	2.48	2.35	2.23	2.12	2.01	1.83	1.60	t	
		12.4	14.0	18.0	22.0	26.0	30.0	34.0	38.0	40.0	42.0	44.0	46.0	48.0	50.0	54.0	m	
54M	IV	10.00	8.83	6.84	6.13	4.63	3.96	3.44	3.03	2.85	2.69	2.54	2.41	2.29	2.18	1.98	t	
	II	5.00	5.00	5.00	5.00	4.70	4.03	3.51	3.10	2.92	2.76	2.64	2.48	2.36	2.25	2.05	t	
		13.0	14.0	18.0	22.0	26.0	30.0	34.0	38.0	40.0	42.0	44.0	46.0	48.0	m			
48M	IV	10.00	9.26	7.17	5.82	4.87	4.16	3.62	3.19	3.00	2.84	2.68	2.55	2.42	t			
	II	5.00	5.00	5.00	5.00	4.94	4.23	3.69	3.26	3.07	2.91	2.75	2.62	2.49	t			

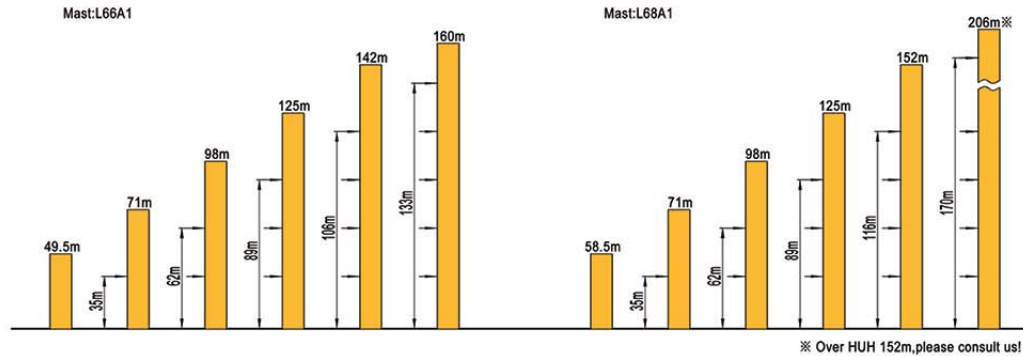
▼ 塔身组成 Mast composition

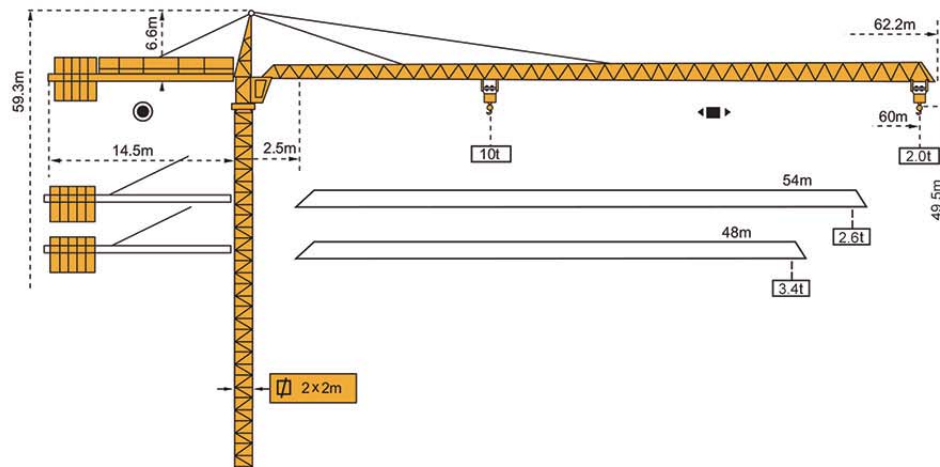


▼ 机构特性 Mechanism

机构特性 Mechanism		II	IV	功率 Power	容绳量 Ropes	备注 Remark
起升 Hoisting	45JLF25A	m/min 0-40	0-80	45kw	550M	
	t	0-5	0-10			
起升 Hoisting	45PFC25	m/min 0-40	0-80	45kw	500M	选配 Optional
	t	0-5	0-10			
变幅 Trolleying	5JXF4A	m/min	0-58	5.5kw		
回转 Slewing	JHK100T2	r/min	0.6	2x95N.m		
行走 Travelling	RT443	m/min	0-17	4x5.2kw		
380v 50Hz / 440v 60Hz						

▼ 附着 Anchorages

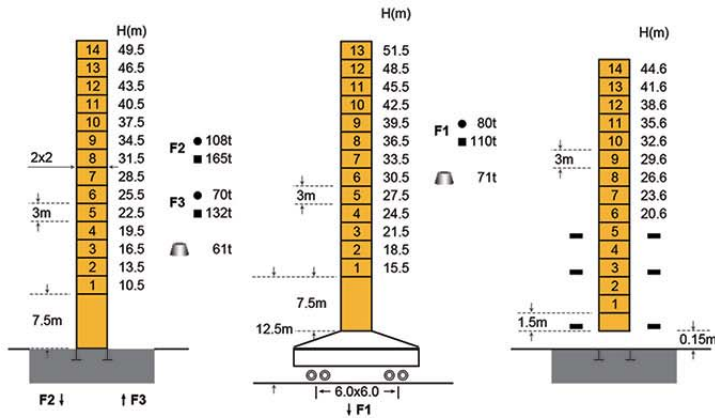




▼ 载荷表 Load Curve

60M	Fall	16.1	18.00	24.0	30.0	36.0	42.0	48.0	54.0	60.0	m
	IV	10.00	8.79	6.27	4.79	3.91	3.12	2.61	2.21	1.89	t
	II	5.00	5.00	5.00	4.90	3.92	3.23	2.72	2.32	2.00	t
54M		17.5	18.00	24.0	30.0	36.0	42.0	48.0	54.0	m	
	IV	10.00	9.66	6.91	5.30	4.24	3.48	2.92	2.49	t	
	II	5.00	5.00	5.00	5.00	4.35	3.59	3.03	2.60	t	
48M			18.00	24.0	30.0	36.0	42.0	48.0	m		
	IV		10.00	7.67	5.90	4.73	3.91	3.29	t		
	II		5.00	5.00	5.00	4.84	4.02	3.40	t		

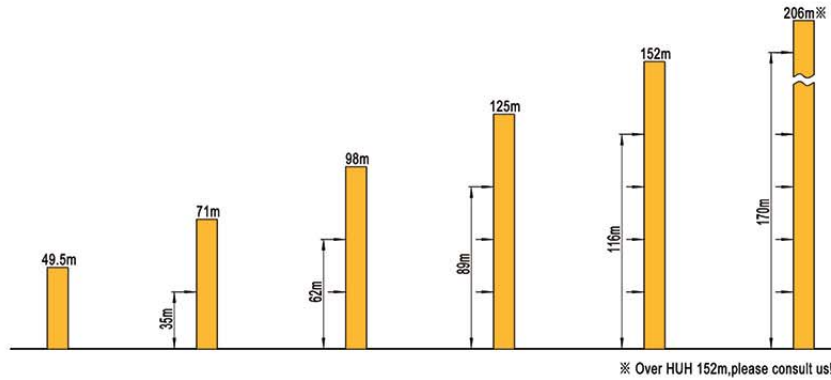
▼ 塔身组成 Mast composition

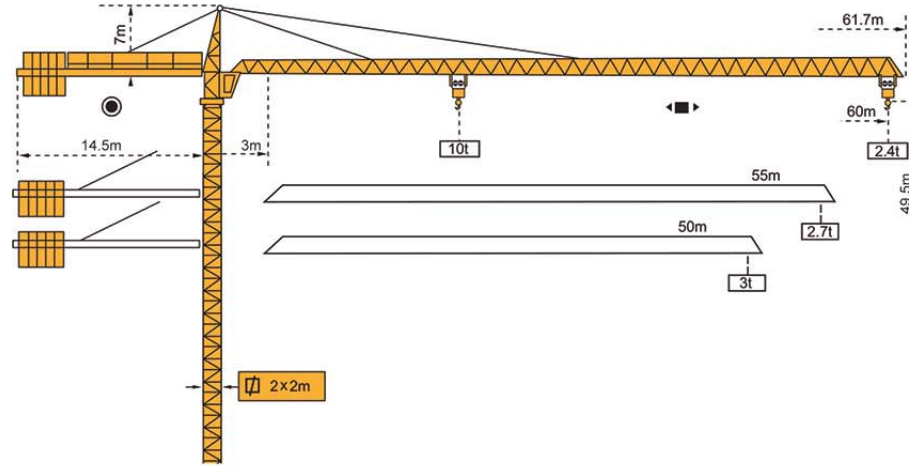


▼ 机构特性 Mechanism

机构特性 Mechanism		II	IV	功率 Power	容绳量 Ropes	备注 Remark
起升 Hoisting 45JLF25A	m/min	0-40	0-80	45kw	550M	
	t	0-5	0-10			
起升 Hoisting 45PFC25	m/min	0-40	0-80	45kw	500M	选配 Optional
	t	0-5	0-10			
变幅 Trolleying 5JXF4A	m/min	0-58		5.5kw		
回转 Slewing JHK100T2	r/min	0.6		2x95N.m		
行走 Travelling RT443	m/min	0-17		4x5.2kw		
380v 50Hz / 440v 60Hz						

▼ 附着 Anchorages



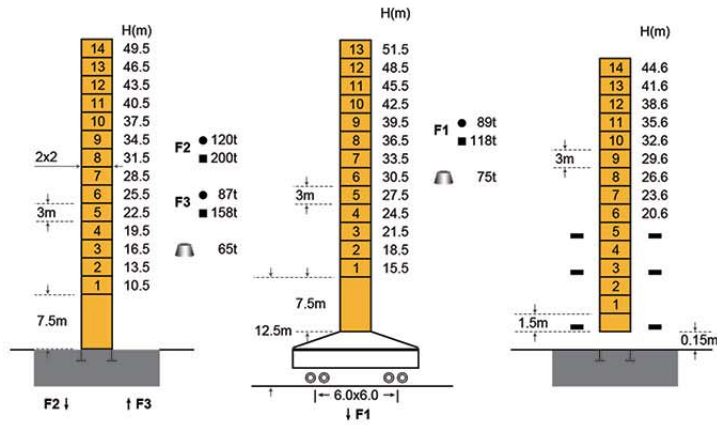


▼ 载荷表 Load Curve

	Fall	16.6	20.0	25.0	27.0	29.7	32.3	35.0	37.0	40.0	42.0	45.0	47.0	50.0	52.0	55.0	57.0	60.0	m
60M	IV	10.00	8.00	6.50	5.60	5.00	4.49	4.09	3.79	3.39	3.19	2.89	2.69	2.49	2.39	2.19	2.09	1.89	t
	II	5.00	5.00	5.00	5.00	5.00	5.00	4.60	4.30	3.90	3.70	3.40	3.20	3.00	2.90	2.70	2.60	2.40	t
		16.6	20.0	25.0	27.0	29.7	32.3	35.0	37.0	40.0	42.0	45.0	47.0	50.0	52.0	55.0			m
55M	IV	10.00	8.00	6.20	5.60	5.00	4.49	4.09	3.79	3.39	3.19	2.89	2.69	2.49	2.39	2.19			t
	II	5.00	5.00	5.00	5.00	5.00	5.00	4.60	4.30	3.90	3.70	3.40	3.20	3.00	2.90	2.70			t
		16.6	20.0	25.0	27.0	29.7	32.3	35.0	37.0	40.0	42.0	45.0	47.0	50.0					m
50M	IV	10.00	8.00	6.20	5.60	5.00	4.49	4.09	3.79	3.39	3.19	2.89	2.69	2.49					t
	II	5.00	5.00	5.00	5.00	5.00	5.00	4.60	4.30	3.90	3.70	3.40	3.20	3.00					t
		17.0	20.0	22.0	25.0	27.0	30.4	33.1	35.0	37.0	40.0	42.0	45.0						m
45M	IV	10.00	8.30	7.40	6.30	5.80	5.00	4.49	4.19	3.89	3.49	3.29	2.99						t
	II	5.00	5.00	5.00	5.00	5.00	5.00	5.00	4.70	4.40	4.00	3.80	3.50						t
		17.0	20.0	22.0	25.0	27.0	30.4	33.1	35.0	37.0	40.0								m
40M	IV	10.00	8.30	7.40	6.30	5.80	5.00	4.49	4.19	3.89	3.49								t
	II	5.00	5.00	5.00	5.00	5.00	5.00	5.00	4.70	4.40	4.00								t
		17.0	20.0	22.0	25.0	27.0	30.4	33.1	35.0										m
35M	IV	10.00	8.30	7.40	6.30	5.80	5.00	4.49	4.19										t
	II	5.00	5.00	5.00	5.00	5.00	5.00	5.00	4.70										t



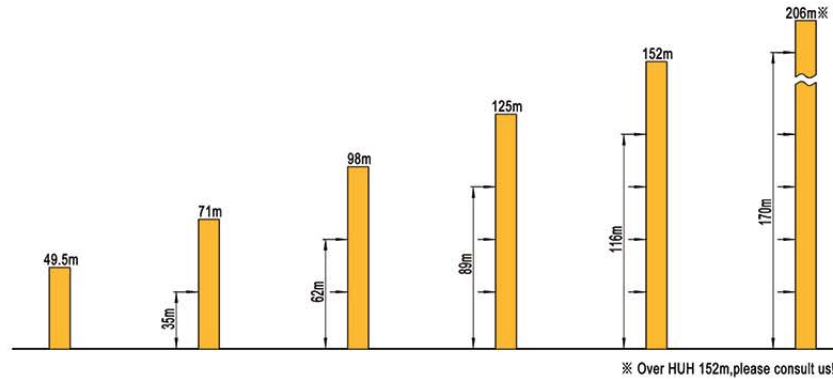
▼ 塔身组成 Mast composition

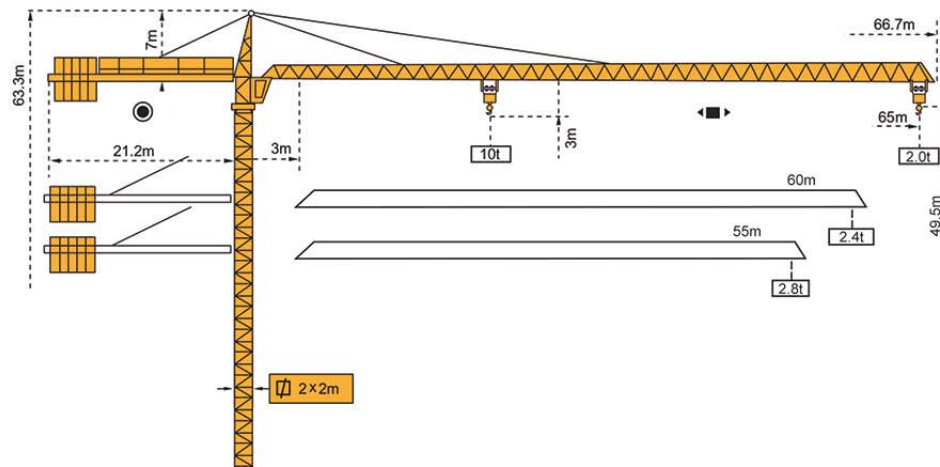


▼ 机构特性 Mechanism

机构特性 Mechanism		II	IV	功率 Power	容绳量 Ropes	备注 Remark
起升 Hoisting 45JLF25A	m/min	0-40	0-80	45kw	550M	
	t	0-5	0-10			
起升 Hoisting 45PFC25	m/min	0-40	0-80	45kw	500M	选配 Optional
	t	0-5	0-10			
变幅 Trolleying 5JXF4A	m/min	0-58		5.5kw		
回转 Slewing JHK100T2	r/min	0.6		2x95N.m		
行走 Travelling RT443	m/min	0-17		4x5.2kw		
380v 50Hz / 440v 60Hz						

▼ 附着 Anchorages

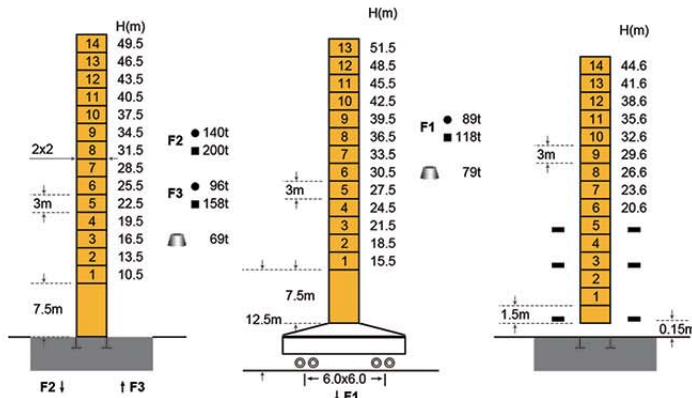




▼ 载荷表 Load Curve

	Fall	17.5	20.0	22.0	26.0	30.0	34.0	38.0	40.0	44.0	46.0	48.0	50.0	52.0	55.0	58.0	60.0	62.0	65.0	m	
65M	IV	10.00	8.07	7.65	6.30	5.32	4.58	4.01	3.76	3.34	3.16	2.99	2.84	2.70	2.51	2.34	2.22	2.14	2.0	t	
	II	5.00	5.00	5.00	5.00	5.00	4.67	4.10	3.85	3.43	3.25	3.08	2.93	2.79	2.60	2.43	2.32	2.22	2.09	t	
		18.4	20.0	22.0	26.0	30.0	34.0	38.0	40.0	44.0	46.0	48.0	50.0	52.0	55.0	58.0	60.0				
60M	IV	10.00	9.07	8.12	6.70	5.66	4.88	4.27	4.02	3.57	3.38	3.20	3.04	2.89	2.69	2.51	2.40				
	II	5.00	5.00	5.00	5.00	5.00	4.97	4.36	4.11	3.66	3.47	3.29	3.13	2.98	2.78	2.60	2.49				
		18.4	20.0	22.0	26.0	30.0	35.0	38.0	40.0	42.0	44.0	46.0	48.0	50.0	52.0	55.0					
55M	IV	10.00	9.37	8.40	6.93	5.87	4.89	4.43	4.17	3.93	3.71	3.51	3.33	3.16	3.00	2.80					
	II	5.00	5.00	5.00	5.00	5.00	4.98	4.52	4.26	4.02	3.80	3.60	3.42	3.25	3.10	2.89					

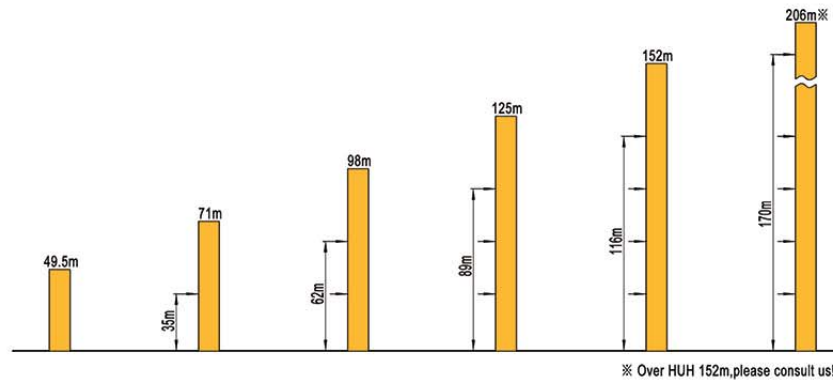
▼ 塔身组成 Mast composition

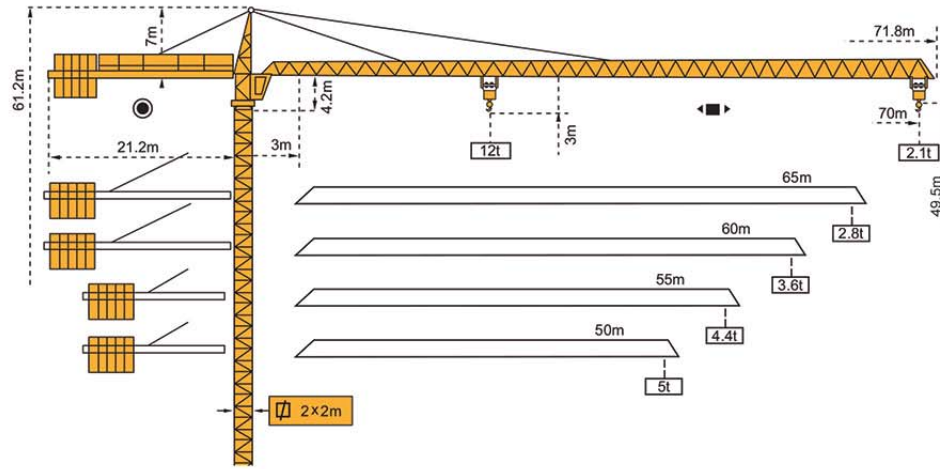


▼ 机构特性 Mechanism

机构特性 Mechanism		II	IV	功率 Power	容绳量 Ropes	备注 Remark
起升 Hoisting	45JLF25A	m/min	0-40	0-80	45kw	550M
	t	0-5	0-10			
起升 Hoisting	45PFC25	m/min	0-40	0-80	45kw	500M
	t	0-5	0-10			选配 Optional
变幅 Trolleying	5JXF4A	m/min	0-58		5.5kw	
回转 Slewing	JHK100T2	r/min	0.6		2x95N.m	
行走 Travelling	RT443	m/min	0-17		4x5.2kw	
380v 50Hz / 440v 60Hz						

▼ 附着 Anchorages

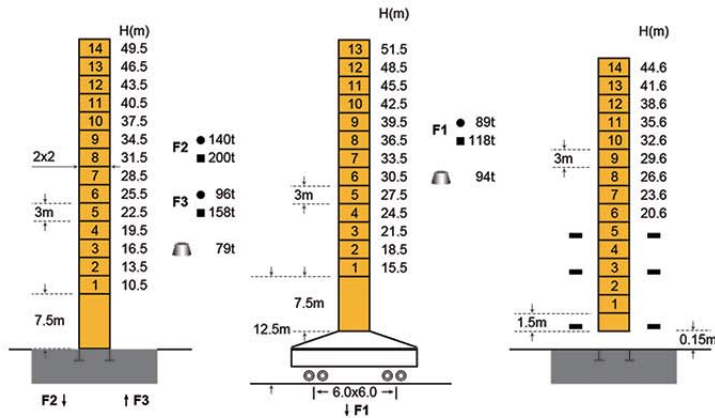




▼ 载荷表 Load Curve

	Fall	17.8	18.0	22.0	24.5	28.3	30.0	32.0	37.0	42.0	45.0	47.0	50.0	55.0	57.0	60.0	65.0	67.0	70.0	m
70M	IV	12.00	11.29	8.99	7.94	6.69	6.23	5.76	4.80	4.07	3.71	3.49	3.20	2.79	2.6	2.4	2.2	2.1	1.9	t
	II	6.00	6.00	6.00	6.00	6.00	6.00	5.96	5.00	4.27	3.91	3.69	3.40	2.99	2.84	2.64	2.4	2.3	2.1	t
		19.2	20.0	22.0	25.0	30.0	31.8	32.4	37.0	40.0	45.0	47.0	50.0	55.0	57.0	60.0	62.0	65.0		m
65M	IV	12.00	11.49	10.32	8.92	7.21	6.72	6.57	5.59	5.07	4.36	4.11	3.79	3.32	3.15	2.93	2.79	2.60		t
	II	6.00	6.00	6.00	6.00	6.00	6.00	6.00	5.79	5.27	4.56	4.31	3.99	3.52	3.35	3.13	2.99	2.80		t
		21.35	22.0	25.0	30.6	31.8	32.4	37.0	40.0	45.0	47.0	50.0	52.0	55.0	57.0	60.0				m
60M	IV	12.00	11.60	10.05	7.96	7.61	7.45	6.35	5.78	4.98	4.71	4.35	4.13	3.93	3.65	3.40				t
	II		6.00	6.00	6.00	6.00	6.00	6.00	5.98	5.18	4.91	4.91	4.33	4.03	3.85	3.60				t
		22.87	23.0	25.0	29.0	32.8	33.7	37.0	40.0	45.0	47.0	49.0	51.0	53.0	55.0					m
55M	IV	12.00	11.92	10.86	9.18	7.96	7.71	6.90	6.10	5.43	5.14	4.88	4.64	4.41	4.20					t
	II		6.00	6.00	6.00	6.00	6.00	6.00	6.00	5.63	5.34	5.08	4.84	4.61	4.40					t
		23.04	24.0	26.0	30.0	33.1	35.4	38.0	40.0	42.0	44.0	46.0	48.0	50.0						m
50M	IV	12.00	11.46	10.48	8.90	7.94	7.34	6.74	6.34	5.97	5.64	5.33	5.06	4.80						t
	II		6.00	6.00	6.00	6.00	6.00	6.00	6.00	6.00	5.84	5.53	5.26	5.00						t

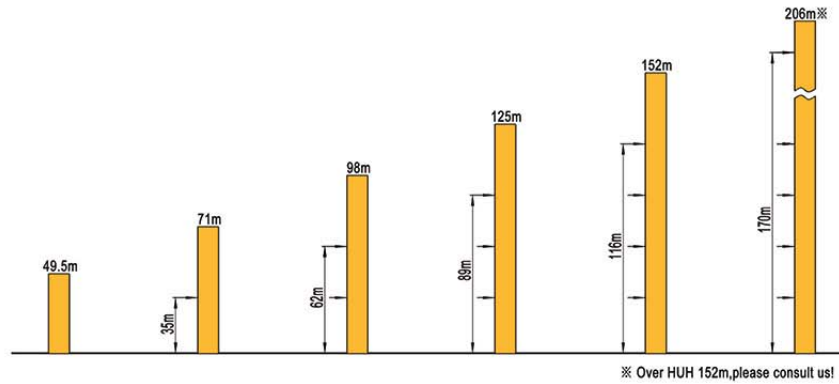
▼ 塔身组成 Mast composition

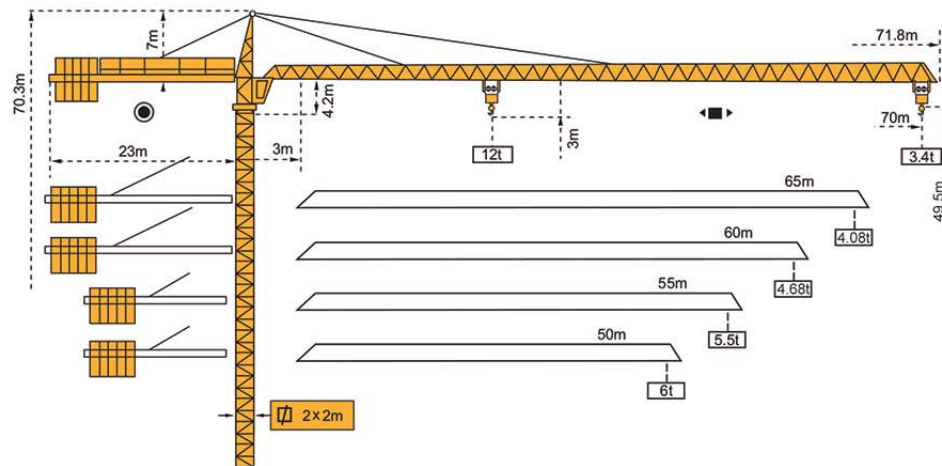


▼ 机构特性 Mechanism

机构特性 Mechanism		II	IV	功率 Power	容绳量 Ropes
起升 Hoisting 55JLF30	m/min	0-90	0-45	55kw	500M
	t	0-6	0-12		
变幅 Trolleying 7.5JXF8	m/min	0-65		7.5kw	
回转 Slewing JH12	r/min	0.6		2x95N.m	
行走 Travelling RT443	m/min	0-17		4x5.2kw	
380v 50Hz / 440v 60Hz					

▼ 附着 Anchorages



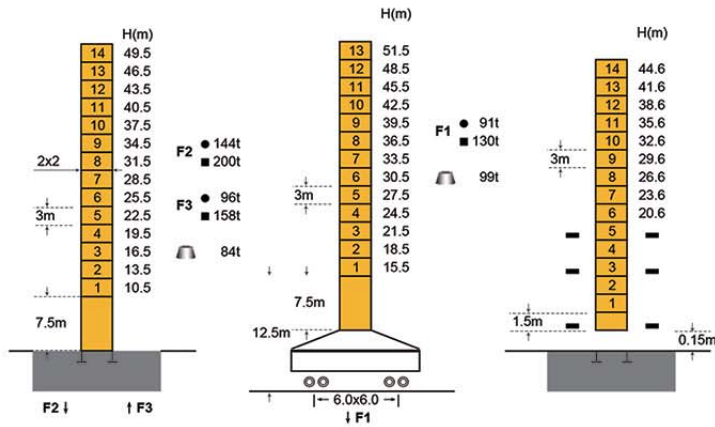


▼ 载荷表 Load Curve

	Fall	23.9	25.00	30.0	35.0	40.0	45.0	50.0	55.0	60.0	65.0	70.0	m
70M	IV	12.00	11.40	9.18	7.62	6.45	5.25	4.83	4.25	3.59	3.20	3.00	t
	II	6.00	6.00	6.00	6.00	6.00	5.75	5.33	4.75	4.09	3.71	3.40	t
		24.3	25.00	30.0	35.0	40.0	47.4	50.0	55.0	60.0	65.0	m	
65M	IV	12.00	12.00	9.68	8.05	6.83	5.88	5.13	4.52	4.01	3.48	t	
	II	6.00	6.00	6.00	6.00	6.00	6.00	5.60	5.02	4.51	4.08	t	
		25.75	30.00	35.0	40.0	45.0	50.0	55.0	60.0	m			
60M	IV	12.00	10.30	8.34	7.08	6.11	5.34	4.70	4.18	t			
	II	6.00	6.00	6.00	6.00	6.00	5.84	5.20	4.68	t			
		25.87	30.00	35.0	40.0	45.0	50.9	53.0	55.0	m			
55M	IV	12.00	10.16	8.52	7.31	6.36	5.62	5.23	5.00	t			
	II	6.00	6.00	6.00	6.00	6.00	6.00	5.73	5.50	t			
		26.75	30.00	35.0	40.0	43.0	45.0	48.0	50.0	m			
50M	IV	12.00	10.55	8.86	7.60	6.99	6.63	6.14	5.85	t			
	II	6.00	6.00	6.00	6.00	6.00	6.00	6.00	6.00	t			



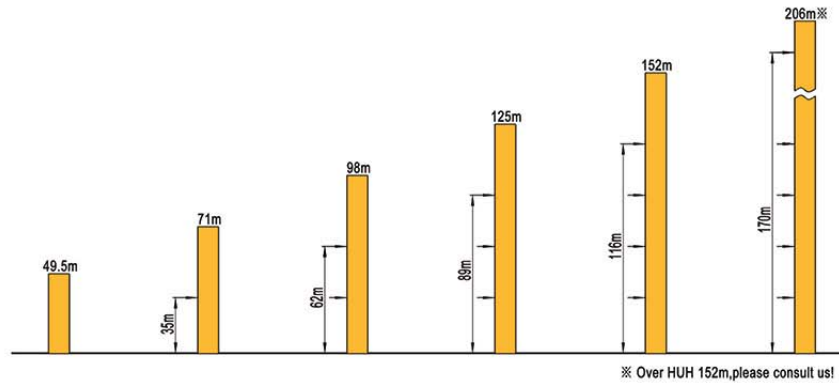
▼ 塔身组成 Mast composition

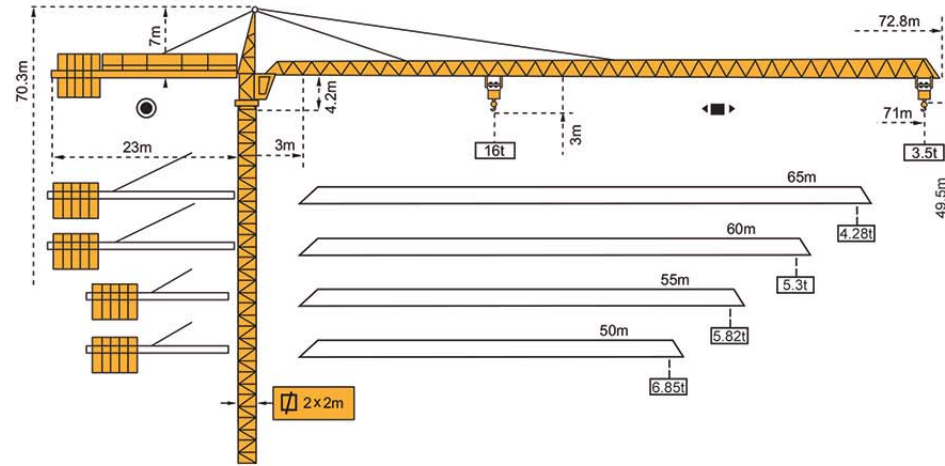


▼ 机构特性 Mechanism

机构特性 Mechanism		II	IV	功率 Power	容绳量 Ropes
起升 Hoisting 55JLF30	m/min	0-90	0-45	55kw	500M
	t	0-6	0-12		
变幅 Trolleying 7.5JXF8	m/min	0-65		7.5kw	
回转 Slewing JH12	r/min	0.6		2x95N.m	
行走 Travelling RT443	m/min	0-17		4x5.2kw	
380v 50Hz / 440v 60Hz					

▼ 附着 Anchorages

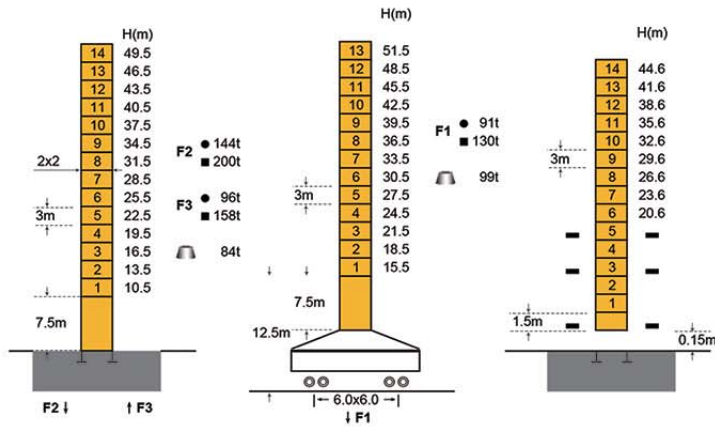




▼ 载荷表 Load Curve

	Fall	18.26	30.00	35.0	40.0	45.0	50.0	55.0	60.0	65.0	70.0	71.0	m
70M	IV	16.00	8.73	7.30	6.23	5.39	4.72	4.17	3.72	3.33	3.00	—	t
	II	8.00	8.00	8.00	6.96	6.05	5.35	4.78	4.31	3.91	3.56	3.5	t
		18.79	30.00	35.0	40.0	45.0	50.0	55.0	60.0	65.0	m		
65M	IV	16.00	9.53	7.99	6.83	5.92	5.20	4.61	4.12	3.70	t		
	II	8.00	8.00	8.00	7.53	6.59	5.84	5.22	4.71	4.28	t		
		20.81	30.00	35.0	40.0	45.0	50.0	55.0	60.0	m			
60M	IV	16.00	10.70	8.99	7.70	6.70	5.90	5.25	4.70	t			
	II	8.00	8.00	8.00	8.00	7.37	6.55	5.87	5.30	t			
		20.98	30.00	35.0	40.0	45.0	50.0	55.0	m				
55M	IV	16.00	10.80	9.07	7.78	6.77	5.96	5.30	t				
	II	8.00	8.00	8.00	8.00	7.32	6.49	5.82	t				
		21.96	30.00	35.0	40.0	45.0	50.0	m					
50M	IV	16.00	11.37	9.56	8.20	7.14	6.30	t					
	II	8.00	8.00	8.00	8.00	7.75	6.85	t					

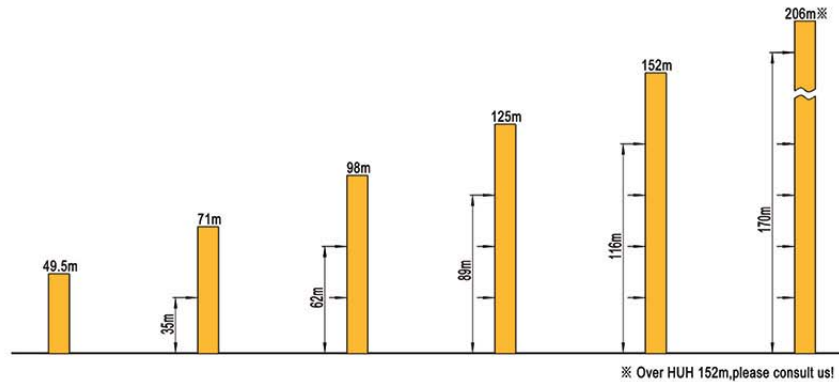
▼ 塔身组成 Mast composition

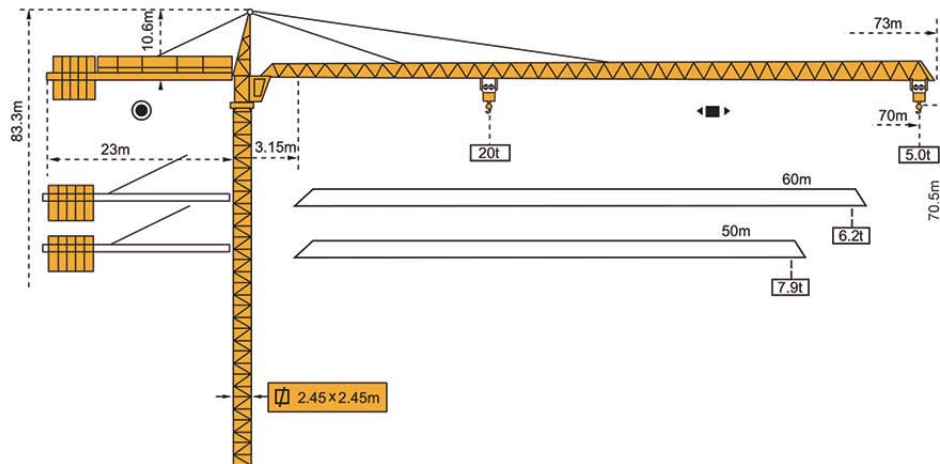


▼ 机构特性 Mechanism

机构特性 Mechanism		II	IV	功率 Power	容绳量 Ropes
起升 Hoisting 75JLF40	m/min	0-90	0-45	75kw	550M
	t	0-8	0-16		
变幅 Trolleying 7.5JXF8	m/min	0-65		7.5kw	
回转 Slewing JH12	r/min	0.6		2x95N.m	
行走 Travelling RT443	m/min	0-17		4x5.2kw	
380v 50Hz / 440v 60Hz					

▼ 附着 Anchorages

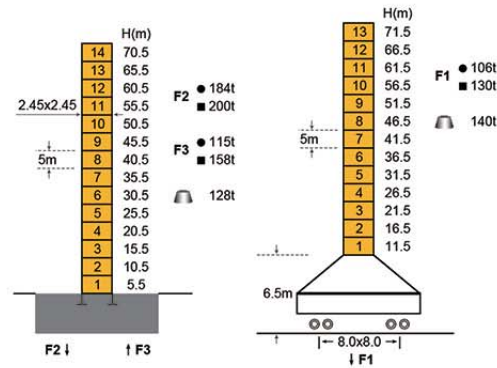




▼ 载荷表 Load Curve

	Fall	22.72	25.00	30.0	35.0	40.0	45.0	50.0	55.0	60.0	65.0	70.0	m
70M	IV	20.0	17.86	14.35	11.88	10.05	8.64	7.51	6.60	5.84	5.20	4.65	t
	II	10.00	10.00	10.00	10.00	10.00	8.99	7.86	6.95	6.19	5.55	5.00	t
		22.75	25.00	30.0	35.0	40.0	45.0	50.0	55.0	60.0	m		
60M	IV	20.0	17.89	14.38	11.90	10.07	8.65	7.53	6.61	5.85	t		
	II	10.00	10.00	10.00	10.00	10.00	9.00	7.88	6.96	6.20	t		
		22.8	25.00	30.0	35.0	40.0	45.0	50.0	m				
50M	IV	20.0	17.94	14.42	11.94	10.10	8.68	7.55	t				
	II	10.00	10.00	10.00	10.00	10.00	9.03	7.90	t				
		23.85	25.00	30.0	35.0	40.0	m						
40M	IV	20.0	18.92	15.23	12.63	10.70	t						
	II	10.00	10.00	10.00	10.00	10.00	t						

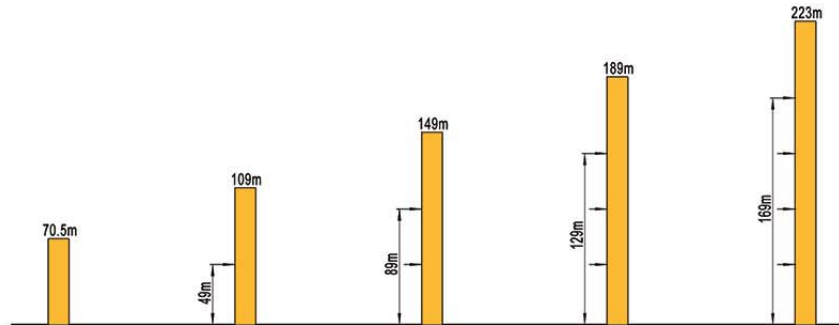
▼ 塔身组成 Mast composition

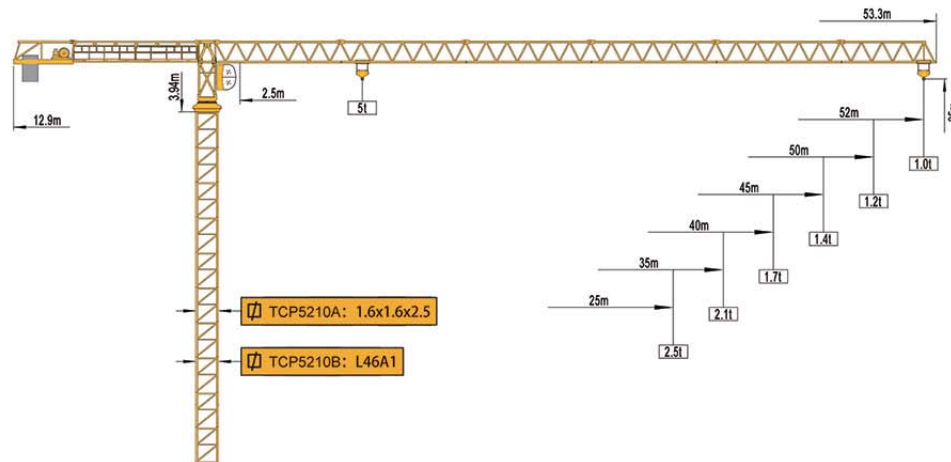


▼ 机构特性 Mechanism

机构特性 Mechanism		II	IV	功率 Power	容绳量 Ropes
起升 Hoisting 90JLF50	m/min	0-90	0-45	90kw	550M
	t	0-10	0-20		
变幅 Trolleying 11JXF10	m/min	0-65		11kw	
回转 Slewing JH02	r/min	0.6		3x185N.m	
行走 Travelling RT544	m/min	0-17		6x5.2kw	
380v 50Hz / 440v 60Hz					

▼ 附着 Anchorages



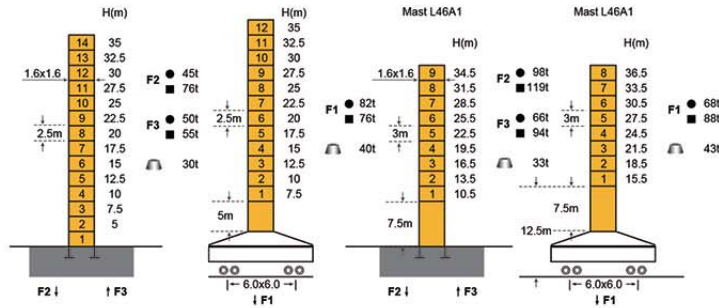


▼ 载荷表 Load Curve

	Fall	12.10	20.0	25.0	30.0	35.0	40.0	45.0	50.0	52.0	m
52M	IV	5.00	2.91	2.25	1.85	1.54	1.32	1.14	1.00	0.95	t
	II	2.50	2.50	2.30	1.90	1.59	1.37	1.19	1.05	1.00	t
		13.51	20.0	25.0	30.0	35.0	40.0	45.0	50.0		m
50M	IV	5.00	3.29	2.57	2.10	1.75	1.51	1.30	1.15		t
	II	2.50	2.50	2.50	2.15	1.82	1.56	1.35	1.20		t
		13.86	20.0	25.0	30.0	35.0	40.0	45.0			m
45M	IV	5.00	3.38	2.66	2.16	1.81	1.55	1.35			t
	II	2.50	2.50	2.50	2.21	1.86	1.60	1.40			t
		14.60	20.0	25.0	30.0	35.0	40.0				m
40M	IV	5.00	3.58	2.81	2.29	1.87	1.65				t
	II	2.50	2.50	2.50	2.34	1.92	1.70				t
		15.42	20.0	25.0	30.0	35.0					m
35M	IV	5.00	3.79	2.99	2.44	2.05					t
	II	2.50	2.50	2.50	2.49	2.10					t
		16.00	18.0	20.0	22.0	25.0					m
25M	IV	5.00	4.41	3.94	3.56	3.10					t
	II	2.50	2.50	2.50	2.50	2.50					t



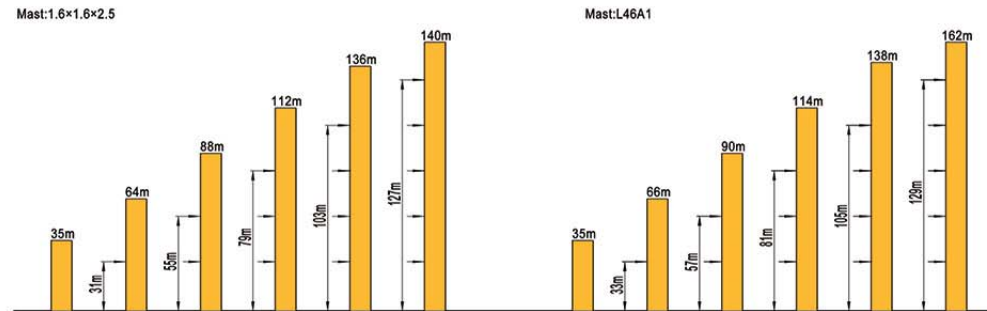
▼ 塔身组成 Mast composition

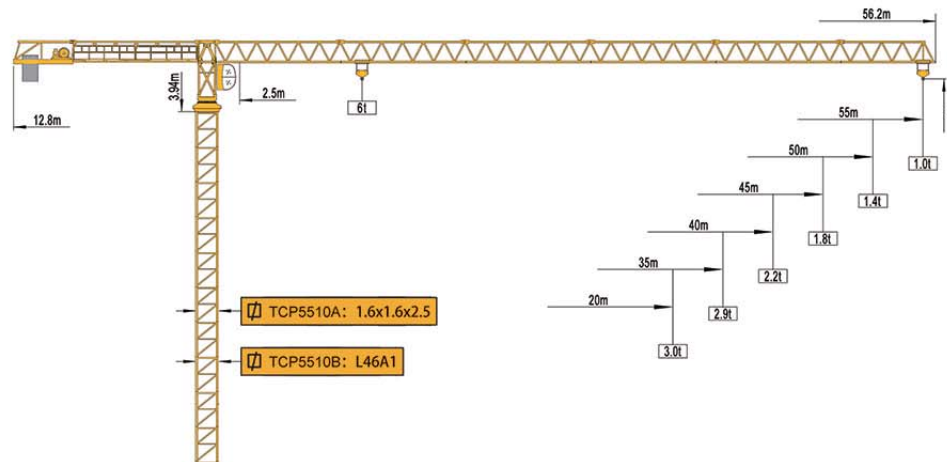


▼ 机构特性 Mechanism

机构特性 Mechanism		II	IV	功率 Power	容绳量 Ropes
起升 Hoisting 18PC13A	m/min	0-67	0-33.5	18kw	360M
	t	1-2.5	2.5-5		
变幅 Trolleying 4D3V2	m/min	0-58		95N.m	
回转 Slewing JH07	r/min	0.6		95N.m	
行走 Travelling RT324	m/min	12-24		2x3.4kw	
380v 50Hz / 440v 60Hz					

▼ 附着 Anchorages

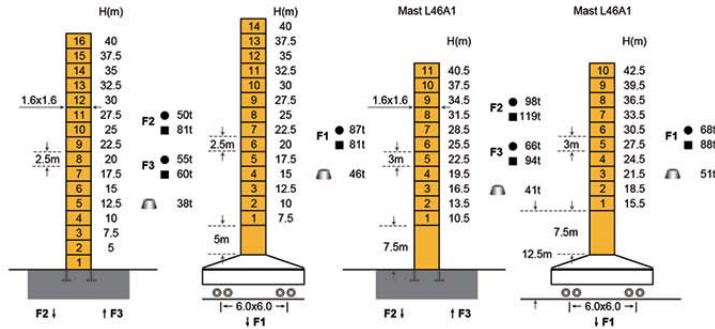




▼ 载荷表 Load Curve

	Full	13.56	20.0	25.0	30.0	35.0	40.0	45.0	50.0	55.0	m
55M	IV	6.00	3.77	2.86	2.26	1.84	1.52	1.28	1.09	0.93	t
	II	3.00	3.00	2.93	2.33	1.91	1.59	1.35	1.16	1.00	t
		15.36	20.0	25.0	30.0	35.0	40.0	45.0	50.0		m
50M	IV	6.00	4.39	3.35	2.67	2.19	1.83	1.55	1.33		t
	II	3.00	3.00	3.00	2.74	2.26	1.90	1.62	1.40		t
		16.55	20.0	25.0	30.0	35.0	40.0	45.0			m
45M	IV	6.00	4.81	3.68	2.94	2.42	2.03	1.73			t
	II	3.00	3.00	3.00	3.00	2.49	2.10	1.80			t
		17.14	20.0	25.0	30.0	35.0	40.0				m
40M	IV	6.00	5.01	3.84	3.08	2.53	2.13				t
	II	3.00	3.00	3.00	3.00	2.60	2.20				t
		18.67	20.0	25.0	30.0	35.0					m
35M	IV	6.00	5.54	4.26	3.42	2.83					t
	II	3.00	3.00	3.00	3.00	2.90					t
			14.0	17.0	20.0						m
20M	IV		6.00	6.00	6.00						t
	II		3.00	3.00	3.00						t

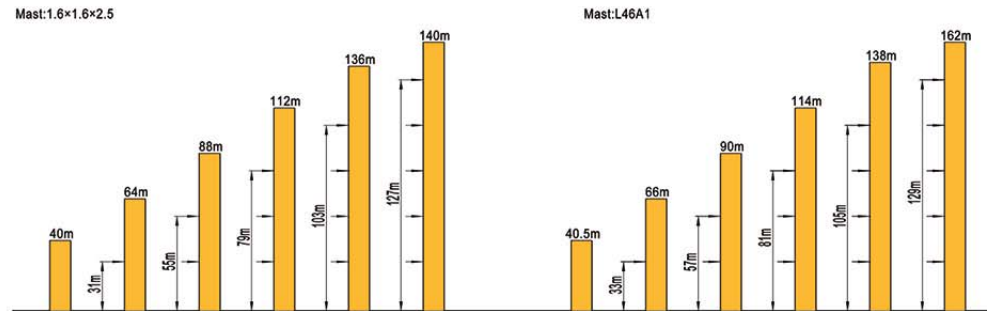
▼ 塔身组成 Mast composition



▼ 机构特性 Mechanism

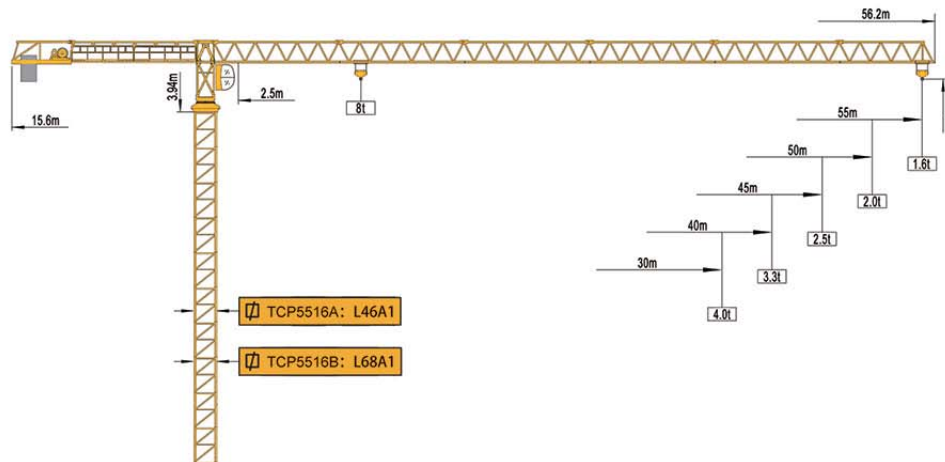
机构特性 Mechanism		II	IV	功率 Power	容绳量 Ropes	备注 Remark
起升 Hoisting	24YQL15CP2	m/min	9/38/80	4.5/19/40	24kw	330M
		t	1.5-3	3-6		
起升 Hoisting	33PC15	m/min	6/38/75	3/19/37.5	24kw	400M
		t	1.5-3	3-6		选配 Optional
变幅 Trolleying	3JXD1	m/min	20/40		2.2/3.3	
						选配 Optional
变幅 Trolleying	95JXL2	m/min	0-58		95N.m	
						选配 Optional
回转 Slewing	5JHE120	r/min	0.6		5.5kw	
						选配 Optional
回转 Slewing	JHK100T2	r/min	0.6		2x95N.m	
						选配 Optional
行走 Travelling	RT324	m/min	12-24		2x3.4kw	
380v 50Hz / 440v 60Hz						

▼ 附着 Anchorages



平头塔 Topless Tower Crane TCP5516A/B 最大吊载 Max.load 8t

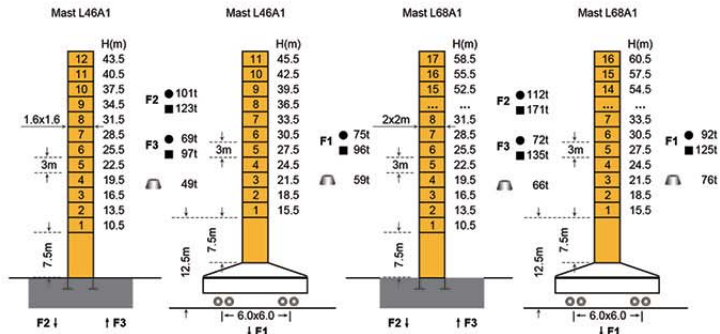
CMAX®



▼ 载荷表 Load Curve

	Fail	14.23	20.0	25.0	30.0	35.0	40.0	45.0	50.0	55.0	m
55M	IV	8.00	5.53	4.14	3.31	2.72	2.28	1.94	1.67	1.45	t
	II	4.00	4.00	4.00	3.46	2.87	2.43	2.09	1.82	1.60	t
		15.24	20.0	25.0	30.0	35.0	40.0	45.0	50.0		m
50M	IV	8.00	5.99	4.50	3.61	2.98	2.51	1.14	1.85		t
	II	4.00	4.00	4.00	3.76	3.13	2.66	2.29	2.00		t
		16.30	20.0	25.0	30.0	35.0	40.0	45.0			m
45M	IV	8.00	6.47	4.88	3.93	3.25	2.74	2.35			t
	II	4.00	4.00	4.00	4.00	3.40	2.89	2.50			t
		18.14	20.0	25.0	30.0	35.0	40.0				m
40M	IV	8.00	6.49	5.54	4.47	3.72	3.15				t
	II	4.00	4.00	4.00	4.00	3.87	3.30				t
		19.24	20.0	25.0	30.0						m
30M	IV	8.00	6.66	5.94	4.80						t
	II	4.00	4.00	4.00	4.00						t

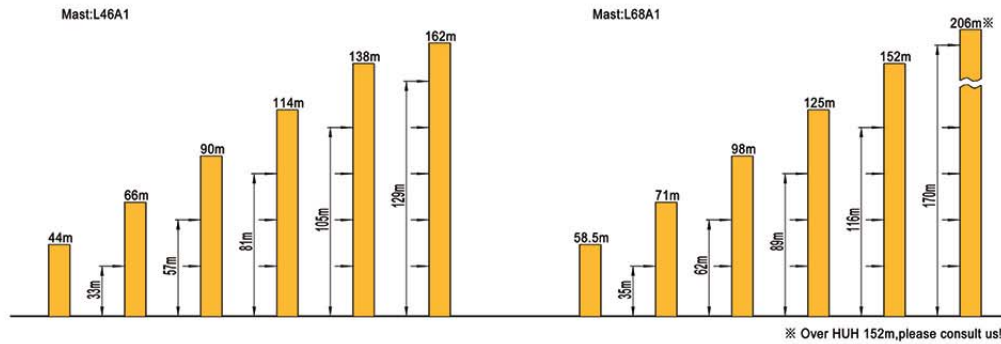
▼ 塔身组成 Mast composition

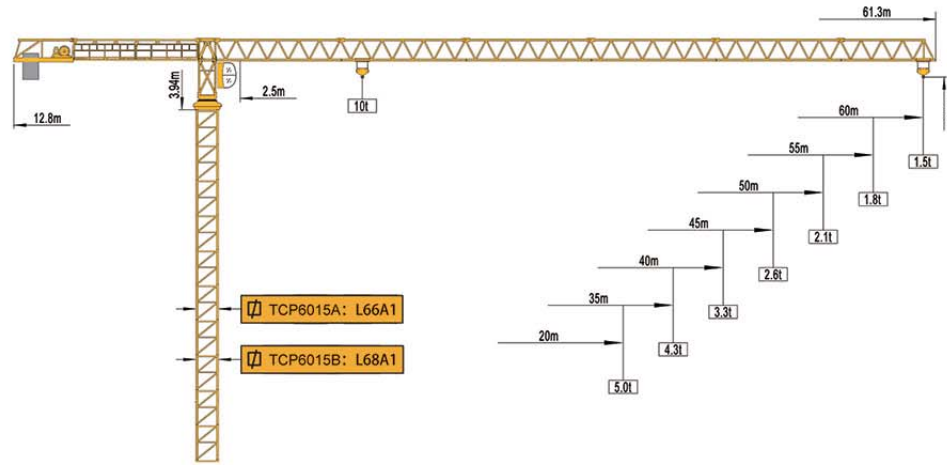


▼ 机构特性 Mechanism

机构特性 Mechanism		II	IV	功率 Power	容量量 Ropes	备注 Remark
↑	起升 Hoisting 30YQL20WP	m/min 40/80	20/40	30kw	400M	
	起升 Hoisting 30PC20	m/min 6/40/80	3/20/40	30kw	500M	选配 Optional
	起升 Hoisting 30PFC20	m/min 0-80	0-40	30kw	500M	选配 Optional
←	变幅 Trolleying 3JXD3	m/min 24/48		2.2/3.3		
	变幅 Trolleying 95JXL2	m/min 0-58		95N.m		选配 Optional
↻	回转 Slewing JHK100T2	r/min 0.6		2x95N.m		
⇄	行走 Travelling RT443	m/min 0-17		2x5.2kw		
380v 50Hz / 440v 60Hz						

▼ 附着 Anchages



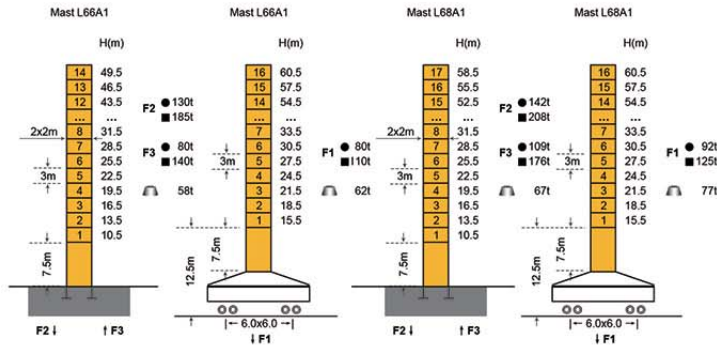


▼ 载荷表 Load Curve

	Fail	13.16	15.0	20.0	25.0	30.0	35.0	40.0	45.0	50.0	55.0	60.0	m
60M	IV	10.00	8.58	6.09	4.63	3.68	3.00	2.49	2.10	1.79	1.54	1.33	t
	II	5.00	5.00	5.00	4.48	3.85	3.17	2.66	2.27	1.96	1.71	1.50	t
		13.60	15.0	20.0	25.0	30.0	35.0	40.0	45.0	50.0	55.0		m
55M	IV	10.00	8.92	6.34	4.83	3.84	3.14	2.62	2.21	1.89	1.63		t
	II	5.00	5.00	5.00	5.00	4.01	3.31	2.79	2.38	2.06	1.80		t
		13.77	15.0	20.0	25.0	30.0	35.0	40.0	45.0	50.0			m
50M	IV	10.00	9.05	6.44	4.91	3.91	3.19	2.67	2.26	1.93			t
	II	5.00	5.00	5.00	5.00	4.08	3.36	2.84	2.43	2.10			t
		14.47	15.0	20.0	25.0	30.0	35.0	40.0	45.0				m
45M	IV	10.00	9.59	6.84	5.23	4.17	3.42	2.86	2.43				t
	II	5.00	5.00	5.00	5.00	4.34	3.59	3.03	2.60				t
			15.43	20.0	25.0	30.0	35.0	40.0					m
40M	IV		10.00	7.38	5.66	4.52	3.72	3.13					t
	II		5.00	5.00	5.00	4.69	3.89	3.30					t
			16.69	20.0	25.0	30.0	35.0						m
35M	IV		10.00	8.11	6.23	5.00	3.13						t
	II			5.00	5.00	5.00	4.30						t



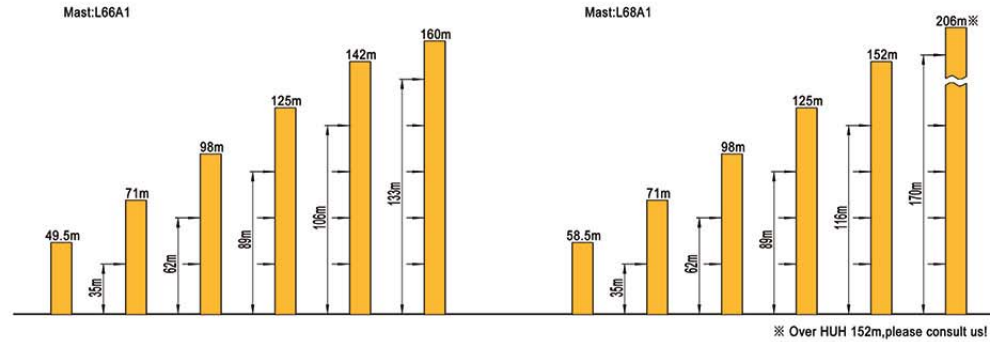
▼ 塔身组成 Mast composition

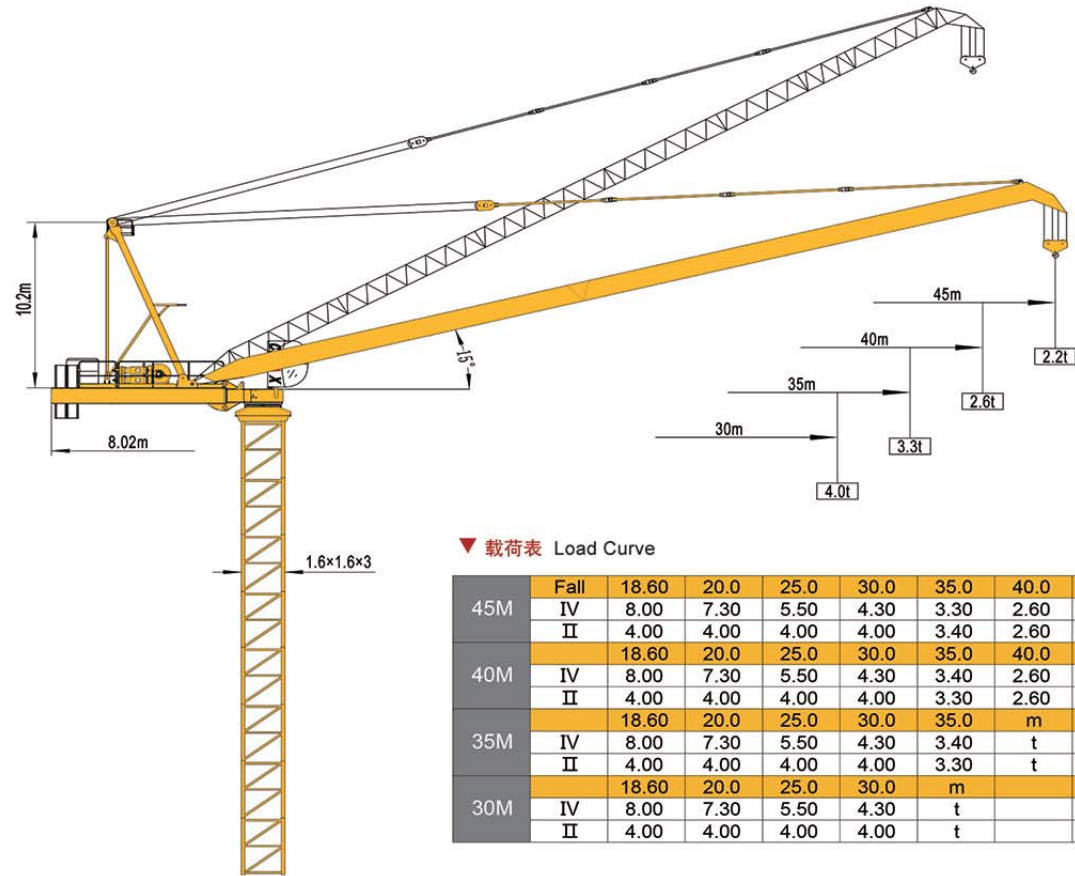


▼ 机构特性 Mechanism

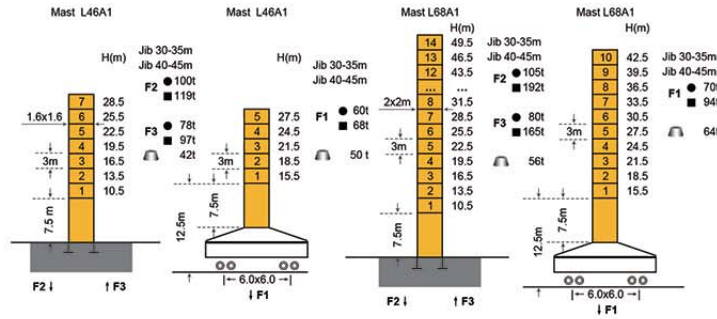
机构特性 Mechanism		II	IV	功率 Power	容绳量 Ropes	备注 Remark
起升 Hoisting	45JLF25A	m/min	0-40	0-80	45kw	550M
	t	0-5	0-10			
起升 Hoisting	45PFC25	m/min	0-40	0-80	45kw	500M
	t	0-5	0-10			选配 Optional
变幅 Trolleying	5JXF4A	m/min	0-58		5.5kw	
回转 Slewing	JHK100T2	r/min	0.6		2x95N.m	
行走 Travelling	RT443	m/min	0-17		4x5.2kw	
380v 50Hz / 440v 60Hz						

▼ 附着 Anchorages





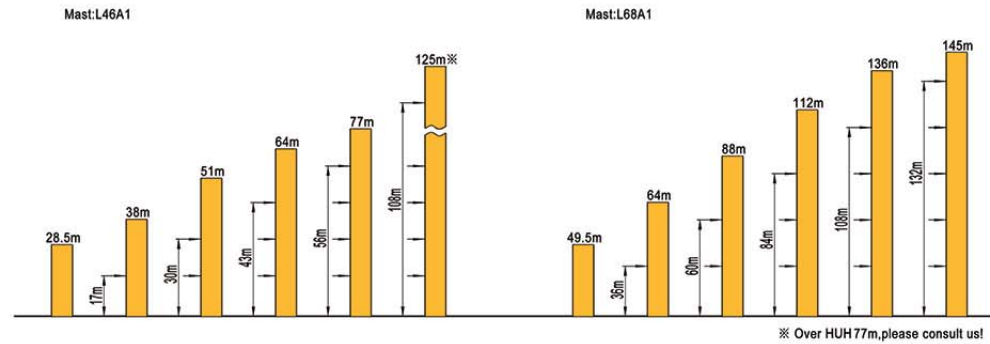
▼ 塔身组成 Mast composition

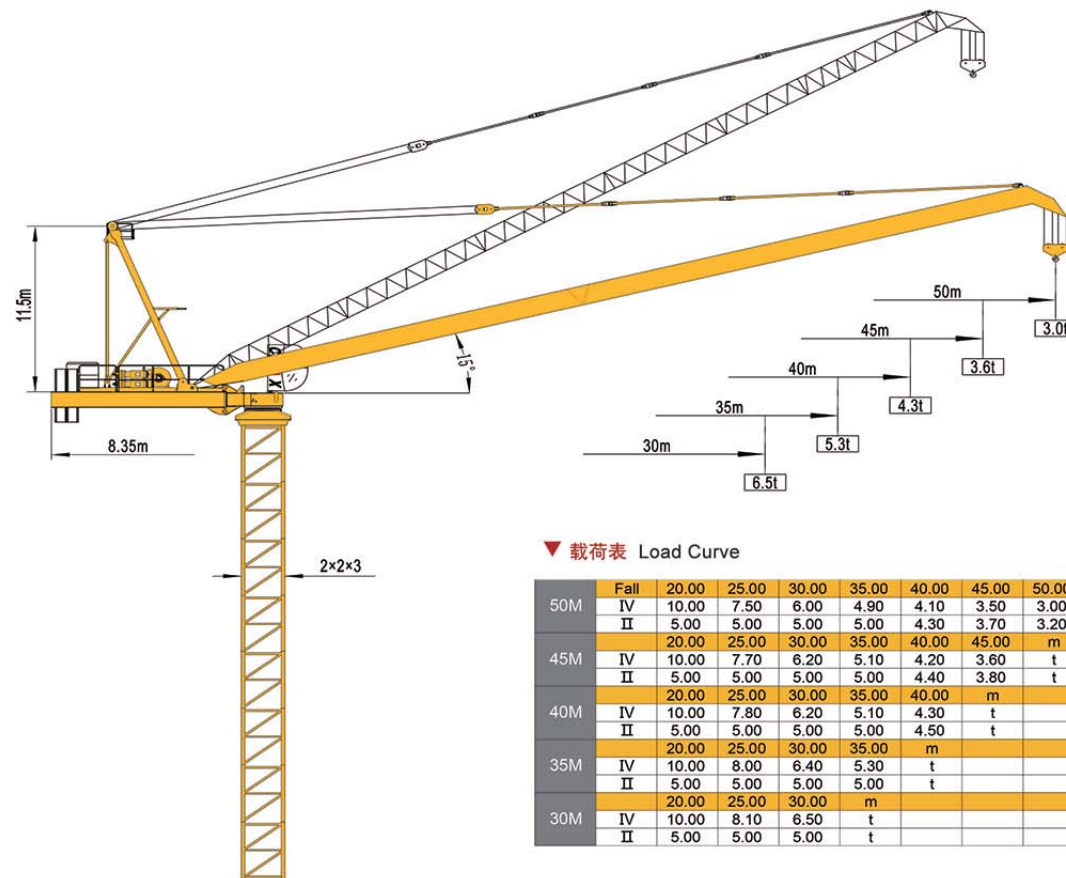


▼ 机构特性 Mechanism

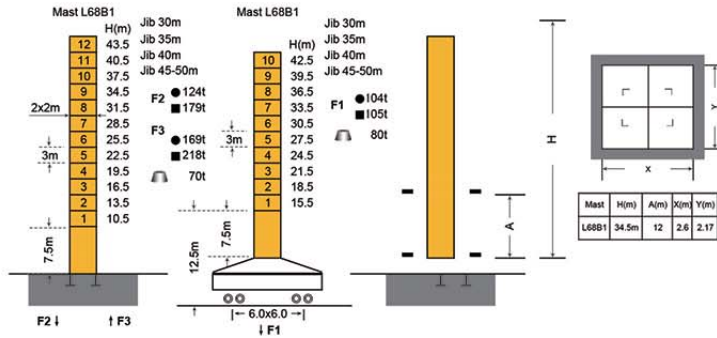
机构特性 Mechanism		II	IV	功率 Power	容绳量 Ropes
起升 Hoisting 30PFC20	m/min	0-80	0-40	30kw	500M
	t	0-4	0-8		
拉臂 Luffing 30DVF32B1	min	15°-85° 2.0min		30kw	
回转 Slewing JH13AT	r/min	0.6		2x95N.m	
行走 Travelling RT443	m/min	0-17		4x5.2kw	
380v 50Hz / 440v 60Hz					

▼ 附着 Anchorages





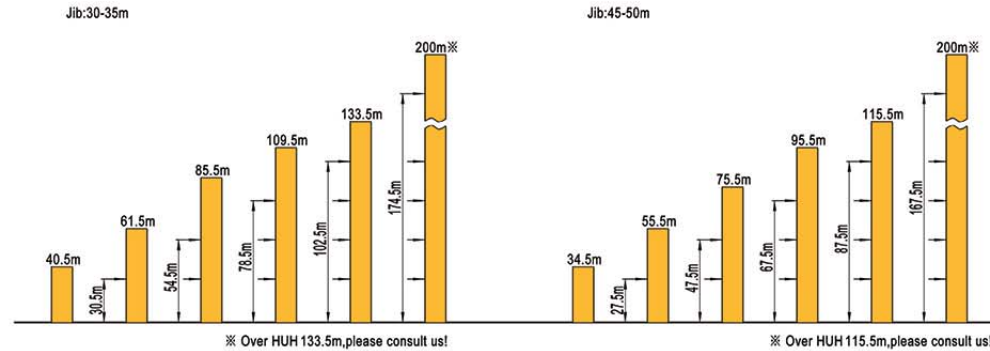
▼ 塔身组成 Mast composition

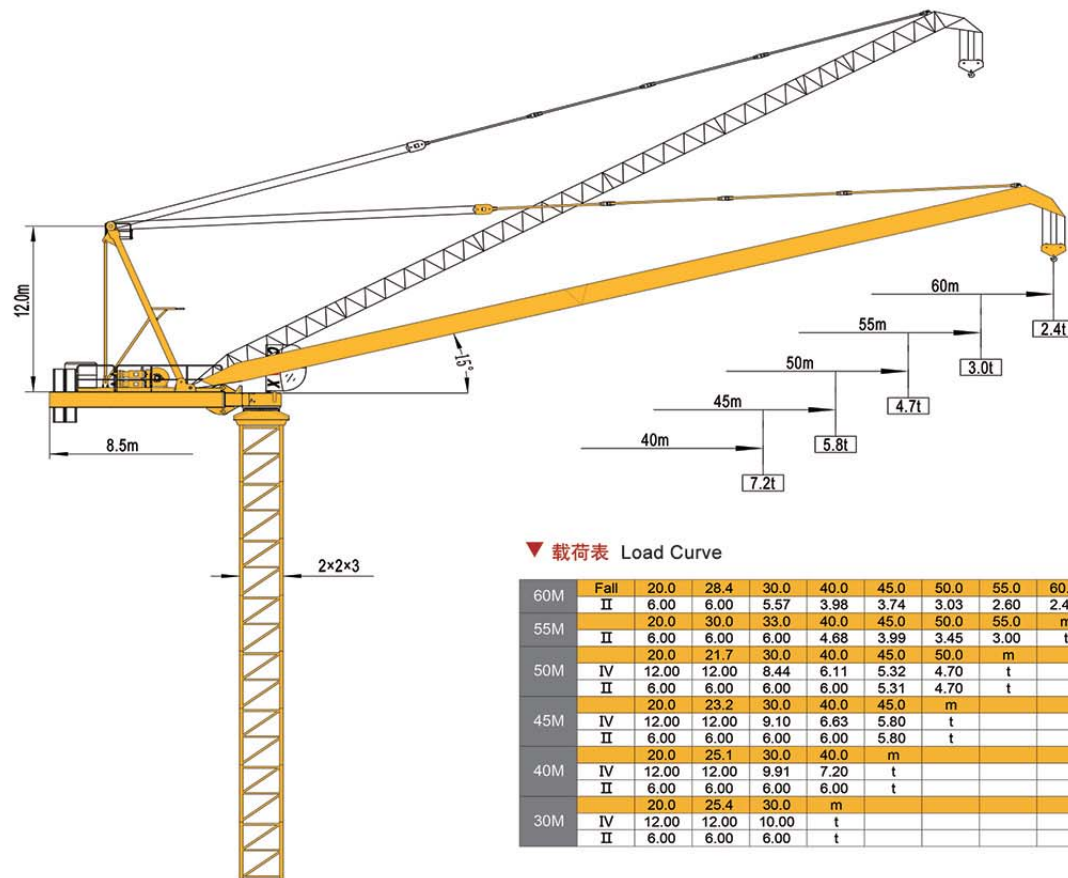


▼ 机构特性 Mechanism

机构特性 Mechanism		II	IV	功率 Power	容绳量 Ropes
起升 Hoisting 45JLF25A	m/min	0-80	0-40	45kw	550M
	t	0-5	0-10		
拉臂 Luffing 45JLF40A	min	15°-85° 2.0min		45kw	
回转 Slewing JH13F	r/min	0.6		2x95N.m	
行走 Travelling RT443	m/min	0-17		4x5.2kw	
380v 50Hz / 440v 60Hz					

▼ 附着 Anchorages





▼ 载荷表 Load Curve

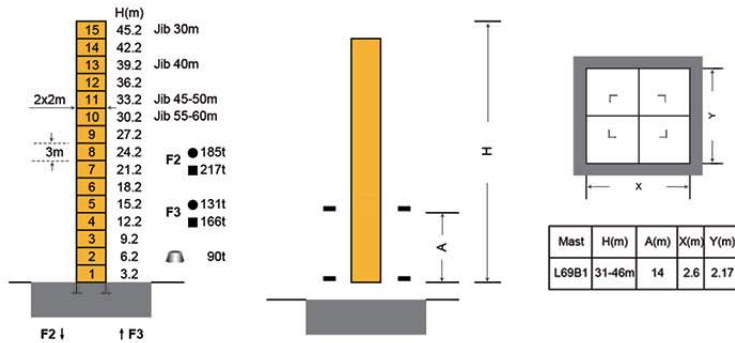
60M	Fall	20.0	28.4	30.0	40.0	45.0	50.0	55.0	60.0	m
	II	6.00	6.00	5.57	3.98	3.74	3.03	2.60	2.40	
55M	IV	20.0	30.0	33.0	40.0	45.0	50.0	55.0		m
	II	6.00	6.00	6.00	4.68	3.99	3.45	3.00		t
50M	IV	20.0	21.7	30.0	40.0	45.0	50.0			m
	II	12.00	12.00	8.44	6.11	5.32	4.70			t
45M	IV	6.00	6.00	6.00	6.00	5.31	4.70			t
	II	20.0	23.2	30.0	40.0	45.0				m
40M	IV	12.00	12.00	9.10	6.63	5.80				t
	II	6.00	6.00	6.00	6.00	5.80				t
30M	IV	20.0	25.1	30.0	40.0					m
	II	12.00	12.00	9.91	7.20					t
30M	IV	6.00	6.00	6.00	6.00					t
	II	20.0	25.4	30.0						m



# 动臂塔 Luffing Tower Crane TCD6024A 最大吊载 Max.load 12t



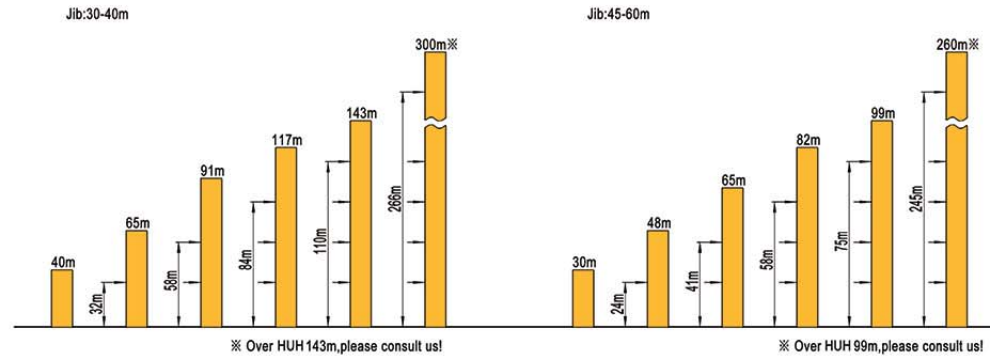
## ▼ 塔身组成 Mast composition

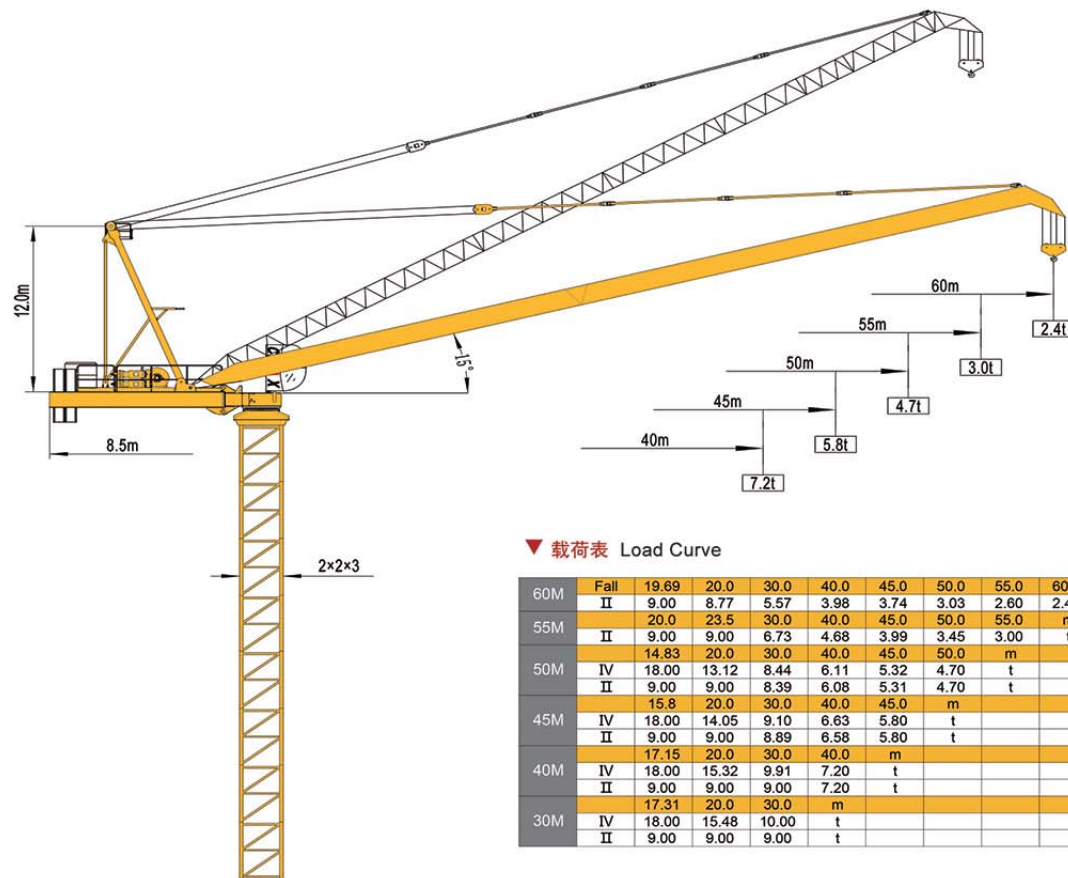


## ▼ 机构特性 Mechanism

机构特性 Mechanism	II	IV	功率 Power	容量 Ropes
起升 Hoisting 55JLF30	m/min	0-90	55kw	500M
	t	0-6		
拉臂 Luffing 75LFF45D	min	15°-85° 2.0min	75kw	
回转 Slewing JH13D	r/min	0.6	2x145N.m	
行走 Travelling RT443	m/min	0-17	4x5.2kw	
380v 50Hz / 440v 60Hz				

## ▼ 附着 Anchorages

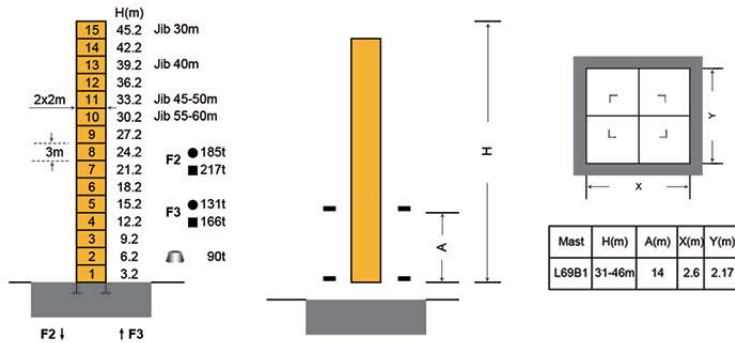




# 动臂塔 Luffing Tower Crane TCD6024B 最大吊载 Max.load 18t



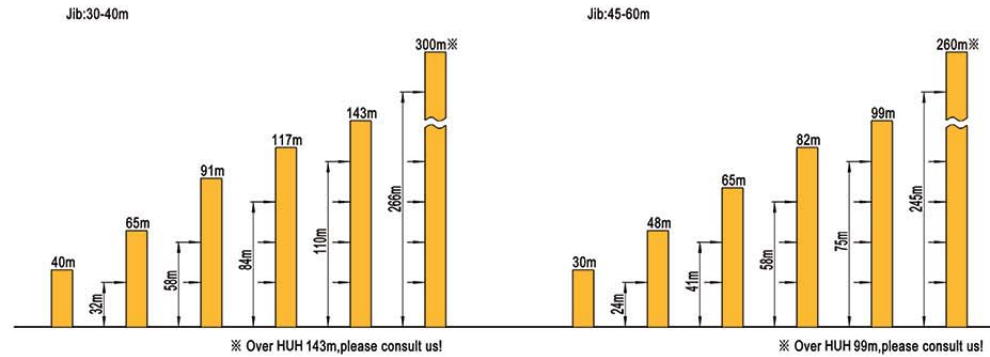
## ▼ 塔身组成 Mast composition

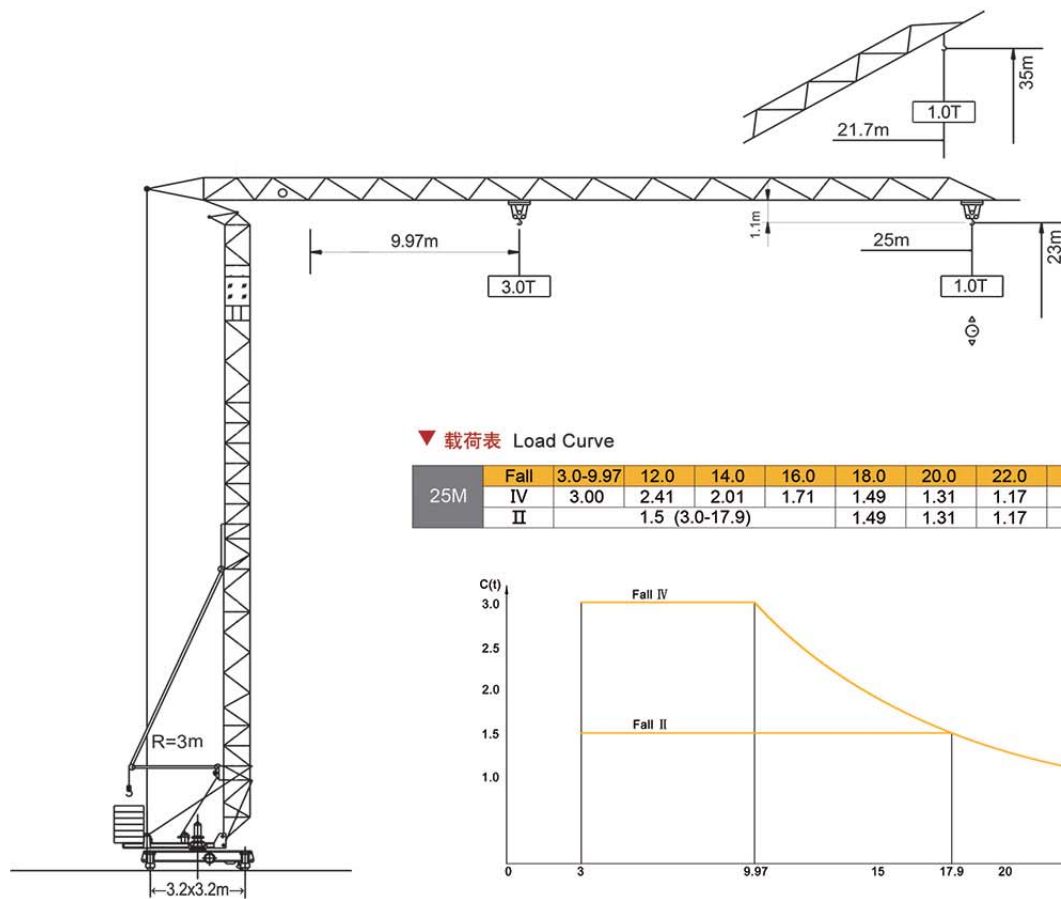


## ▼ 机构特性 Mechanism

机构特性 Mechanism		II	IV	功率 Power	容绳量 Ropes
起升 Hoisting 75JLF45	m/min	0-90	0-45	75kw	800M
	t	0-9	0-18		
拉臂 Luffing 75LFV45D	min	15°-85° 2.0min		75kw	
回转 Slewing JH13D	r/min	0.6		2x145N.m	
行走 Travelling RT443	m/min	0-17		4x5.2kw	
380v 50Hz / 440v 60Hz					

## ▼ 附着 Anchorages

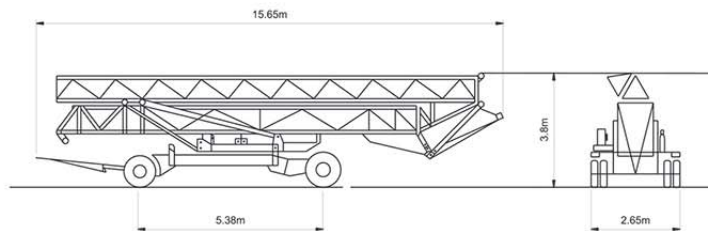




## 快架塔 Quick Tower Crane QTK25 最大吊载 Max.load 3t

CMAX®

### ▼ 公路运输外形尺寸 Overall Dimensions of Highway Transportation

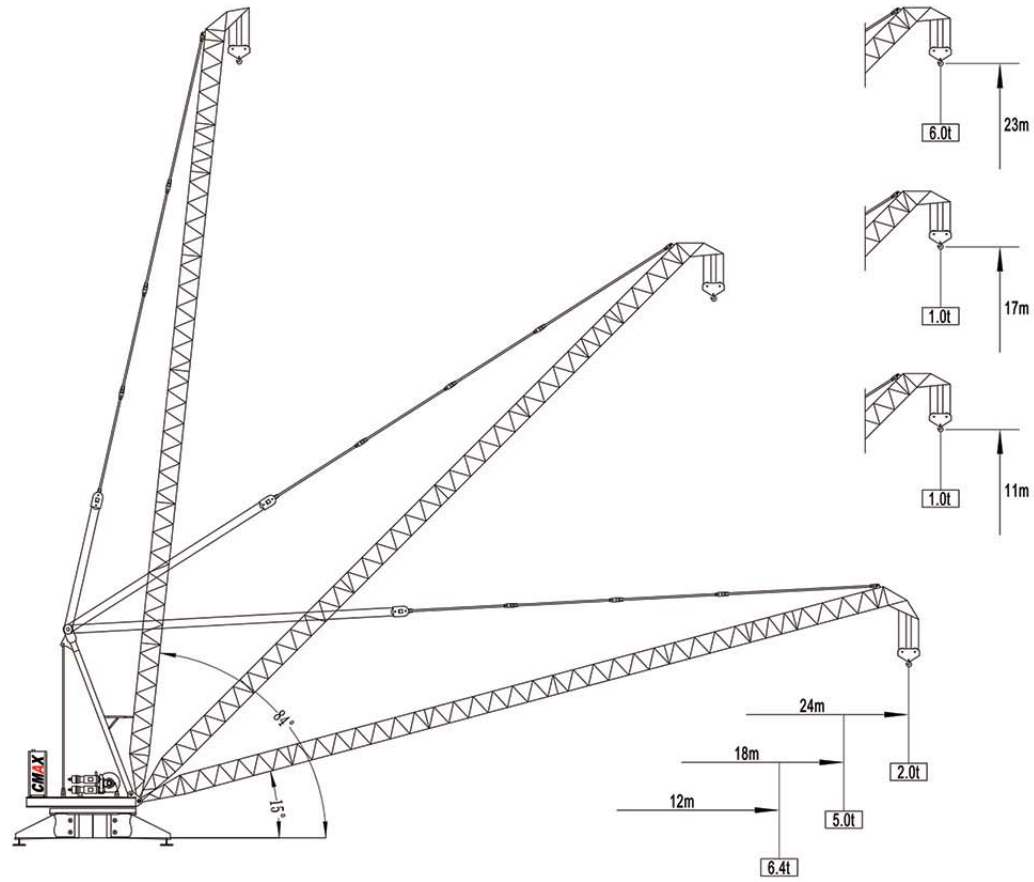


### ▼ 机构特性 Mechanism

机构特性 Mechanism			II	IV	功率 Power
▲ ▼	起升 Hoisting	m/min	0~32	0~16	15kw
◀ ▶	变幅 Trolleying	min	0~25		3kw
⊙	回转 Slewing	r/min	0.2/0.4/0.6		2.2kw
⏏	行走 Travelling	m/min	0~20		2×2.2kw
380v 50Hz / 440v 60Hz					

### ▼ 主要技术参数 Main technical parameters

最大起重量 Maximum Hoisting capacity	t	3	轨距/轴距 Gauge/Axial range	m	3.2/3.2
最大起重力矩 Maximum Hoisting Moment	kN.m	250	自重 Selfweight	t	10.5
最大起升高度 Maximum hoisting capacity	m	23/35(horizontal jib/ elevating jib)	平衡重 Counterweight	t	14.4
工作幅度 Working radius	m	3~25/21(horizontal jib/ elevating jib)	尾部回转半径 Tail turning radius	m	3





▼ 载荷表 Load Curve

24M	Fall	3.0	6.0	10.5	12.0	15.0	18.0	21.0	24.0	m
	IV	6.0	6.0	6.0	5.1	3.8	3.0	2.4	2.0	t
	II	3.0	3.0	3.0	3.0	3.0	3.0	2.4	2.0	t
18M		3.0	6.0	9.0	12.0	15.0	18.0	m		
	IV	10.0	10.0	10.0	6.3	5.0	5.0	t		
	II	5.0	5.0	5.0	5.0	5.0	5.0	t		
12M		3.0	6.0	10.1	12.0	m				
	IV	10.0	10.0	10.0	6.4	t				
	II	5.0	5.0	5.0	5.0	t				

▼ 机构特性 Mechanism

机构特性 Mechanism			II	IV	功率 Power	容绳量 Ropes
▲ ▼	起升 Hoisting	m/min	0-40/0-80	0-20/0-40	45	≤500M
		t	5/2.5	10/5		
◀ ▶	变幅 Trolleying	min	15°~84° 3.0min		24/24/5.5	
◎	回转 Slewing	r/min	0-0.7		95N.m	
⚡	380v 50Hz / 440v 60Hz					

起升机构性能参数表 Performance Parameter Table of Hoisting Mechanism

型号 Model	25PC13	33PC15	45RCS20	55RCS25	70RCS30	70RCS40
单绳额定拉力(kN) Rated Single Rope Tension(kN)	13	15	20	25	30	40
倍率 Multiplying Power	4	4	4	4	4	4
电机额定功率(kW) Rated Power of the Motor(kW)	18/18/3.5	24/24/5.5	33	41	51.5	51.5
工作频率 Working Frequency(Hz)	50	50	50	50	50	50
起升速度 (m/min) Hoisting Speed(m/min)	33.5-17-3	37.5-19-3	20/40	21/42	20/40	15/30
起重量 (t) Hoisting Capacity (t)	2.5-2.5-5	3-6-6	8/4	10/5	12/6	16/8
容绳量 (m) Hoisting Capacity(m)	360M (5 FLOOR)	400M (5 FLOOR)	328M (5 FLOOR)	500M (5 FLOOR)	525M (5 FLOOR)	550M (5 FLOOR)
钢丝绳公称直径 (mm) Nominal Diameter of Wire rope(mm)	Φ10	Φ12	Φ13	Φ14	Φ18	Φ20

型号 Model	30LFV20	45LFV25	55JLF30	75JLF40	75JLF45	
单绳额定拉力(kN) Rated Single Rope Tension(kN)	20	25	30	40	45	
倍率 Multiplying Power	4	4	4	4	4	
电机额定功率(kW) Rated Power of the Motor(kW)	30	45	55	75	75	
工作频率 Working Frequency(Hz)	6-50-100	6-50-100	6-50-100	6-50-100	6-50-100	
起升速度 (m/min) Hoisting Speed(m/min)	40-20-3	40-20-3	45-22-2.7	45-22-2.7	45-22-2.7	
起重量 (t) Hoisting Capacity (t)	4-8-8	5-10-10	6-12-12	8-16-16	9-18-18	
容绳量 (m) Hoisting Capacity(m)	500M (5 FLOOR)	550M (5 FLOOR)	500M (5 FLOOR)	550M (5 FLOOR)	550M (5 FLOOR)	
钢丝绳公称直径 (mm) Nominal Diameter of Wire rope(mm)	Φ14	Φ14	Φ18	Φ20	Φ20	

变幅机构性能参数表 Performance Parameter Table of Trolleying Mechanism

型号 Model	电机额定堵转转矩 (N.m) Rated Stalling Torque of the Motor(kN)	单绳额定拉力(kN) Rated Single Rope Tension(kN)	变幅速度(m/min) Variable Speed(m/min)	变幅范围(m) Variable Range(m)	钢丝绳公称直径(mm) Nominal Diameter of Wire rope(mm)	塔机额定起重量(t) Rated Hoisting Load of Tower Crane (t)
4D3V2	75	2500	0-58	46	Φ7.5	5,6
4D3V3	75	3500	0-58	56	Φ7.5	6,8
5D3V4	95	4500	0-58	56	Φ7.5	8,10
6D3V4	65	4000	0-100	68	Φ7.5	10,12
7.5JXF8		7100	0-65	75	Φ9.0	16,18
95JXL	95	4500	0-58	60	Φ7.7	8,10
120JXL	120	5400	0-63	73	Φ8.0	12
185JXL	185	7100	0-65	75	Φ9.0	16,18

行走机构性能参数表 Performance Parameter Table of Travelling Mechanism

型号 Model	变极调速 Pole-changing Control			变频调速 Frequency Control			行走轮直径率 (mm) Walking wheel diameter(mm)	轨道型号(kg/m) Track Model(kg/m)
	额定功率(kW) Rated Power(kW)	工作频率(Hz) Working Frequency(Hz)	行走速度 (m/min) Travelling Speed(m/min)	额定功率(kW) Rated Power(kW)	工作频率(Hz) Working Frequency(Hz)	行走速度 (m/min) Travelling Speed(m/min)		
RT324	1.7/3.4	50	12/24	3.4	5-50-100	1.2-12-24	315	Heavy Rail 50(43)
RT443	1.7/3.4	50	12.5/25	3.4	5-50-100	1.25-12.5-25	365	Heavy Rail 50
RT544	2.6/5.2	50	8.5/17	2.5	5-50-100	0.9-8.5-17	500	Heavy Rail 50

# Tower Crane



CNBM

**CMAX**<sup>®</sup>

CNBM International Corporation

17th Floor, NO.4 Building, Zhu Yu Business Center,  
NO.9 Shou Ti South Road, Hai Dian Dist., Beijing, 100048, China  
Tel: (0086-10)5751 2668  
Fax: (0086-10)6879 6677  
Website: [www.cnbmcmx.com](http://www.cnbmcmx.com) [www.cnbm.com.cn](http://www.cnbm.com.cn)  
E-mail: [cnbmmech@icnbn.com](mailto:cnbmmech@icnbn.com)



CNBM



OKorder.com is a Globe Materials and  
Equipment Supplier, invested by CNBM  
International, a Fortune 500 Company.